

SUPPORT ARM

Regardless
**OF THE
SECTOR**



ARMENDUS

SUPPORT ARM & ENCLOSURE SYSTEMS

**EVERYWHERE
IN EVERY CORNER
INTERNATIONAL
BRAND**



EVERYWHERE IN EVERY CORNER INTERNATIONAL BRAND

Armendus, with its expert and professional team, have been supplying operator arm and control panel systems to many countries all over the world, providing products specialized in the field of machinery and industrial automation production.

Wide range of countries; Italy, Spain, Portugal, The Netherlands, Belgium, Germany, Australia, New Zealand, Switzerland, Denmark, Sweden, United Kingdom, Ireland, Finland, Hungary, Slovenia, Slovakia, South Korea, Taiwan, Indonesia, Singapore, China, Russia, Belarus, Balkan Countries, Czech Republic, Croatia, Poland, India, Egypt, Canada, United States, Armendus aims to become the world leader with its A-class products in Brazil, Mexico, Qatar, Cyprus, Jordan, Israel, Lebanon, Iran, Palestine, Saudi Arabia, United Arab Emirates, Oman, Kuwait and Bahrain.

We are a professional team that constantly expands its network through our international business partners while maintaining our high-quality products at the forefront.



ABOUT ARMENDUS

Armendus with its years of expertise and professional team designed a variety of Support Arms Systems and Control Panels distinguished by their modern structure, durability, safe and easy usage. All of these are placing Armendus ahead of its competitors in the market.

Armendus Team monitors the production thoroughly from the raw material stage to the final stage. In collaboration with certified laboratories, we implement certain tests and analyzes before putting any product into service. These tests and analysis ensure that our products are in conformity with international standards. All of these steps are applied in order to provide 100% reliable and trusted products to Armendus customers.

Armendus proudly guarantee the quality and the attention given for its whole range of products with Brand Registration Certificate, Utility Model Certificate, Design Registration Certificate, CE and IP Certificates.

5
YEARS
WARRANTY

ISO **CE**
9001:2015

Al **6000**
aluminium **QUALITY**



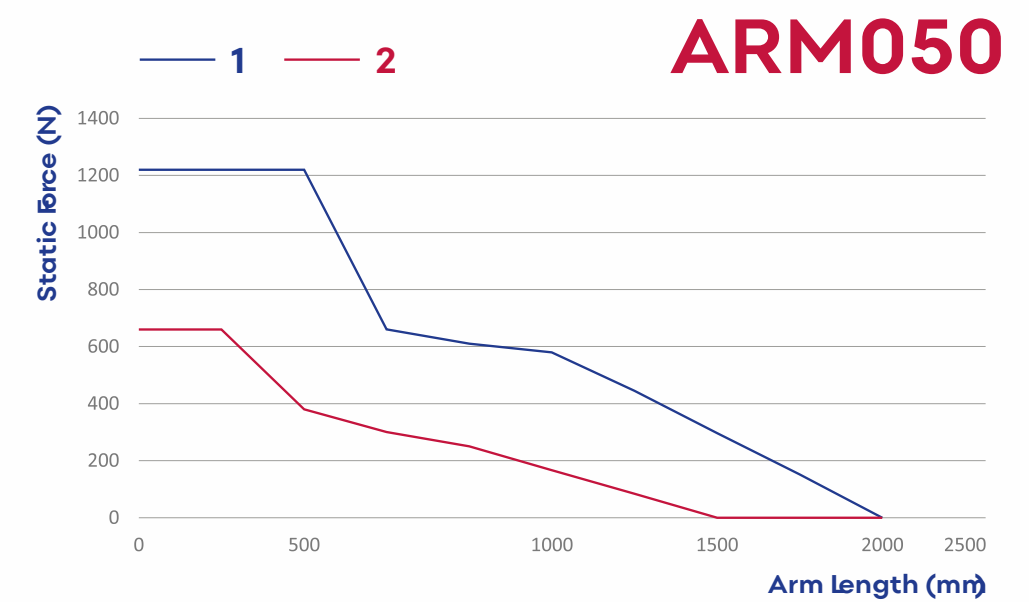
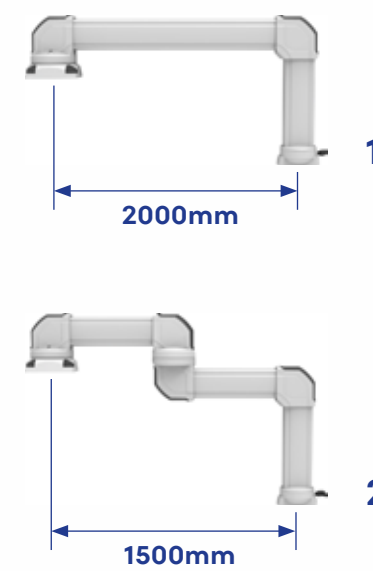
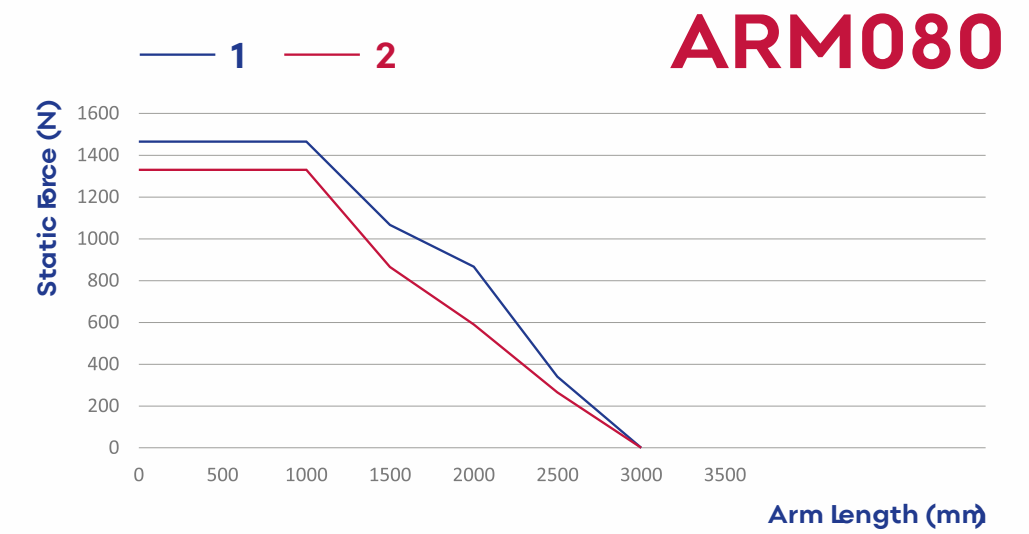
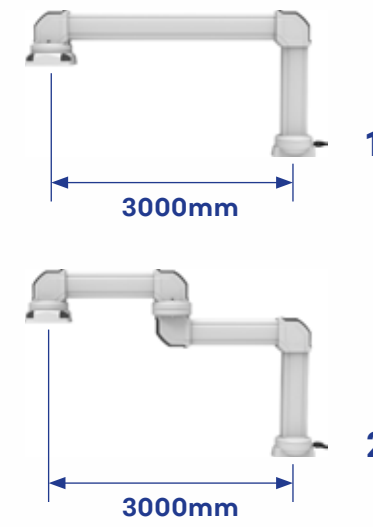
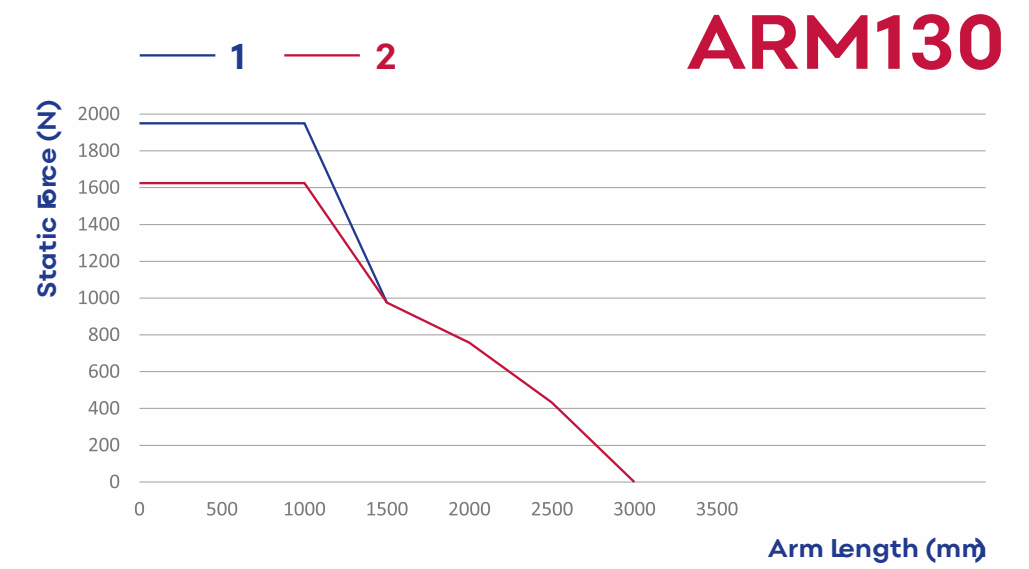
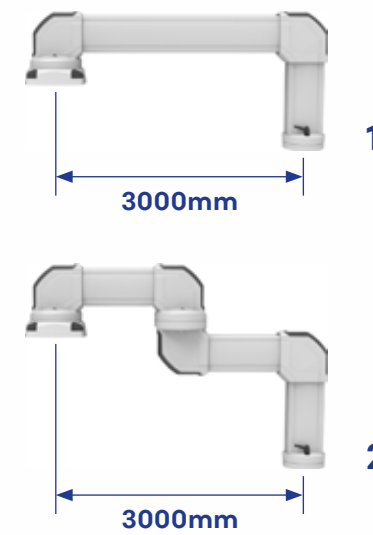
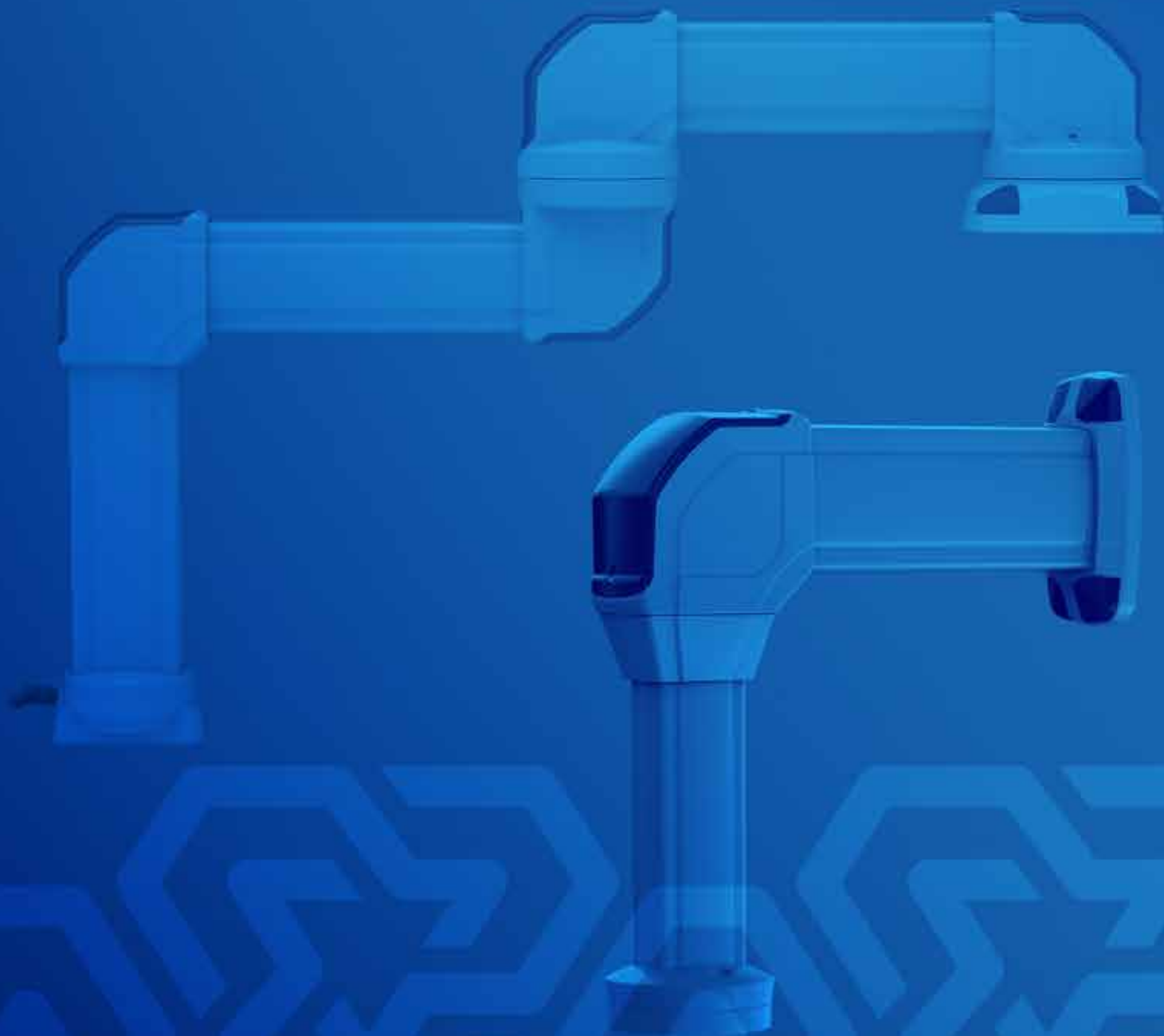
INDEX +

+ SUPPORT + ARM + ENCLOSURE + SYSTEMS +

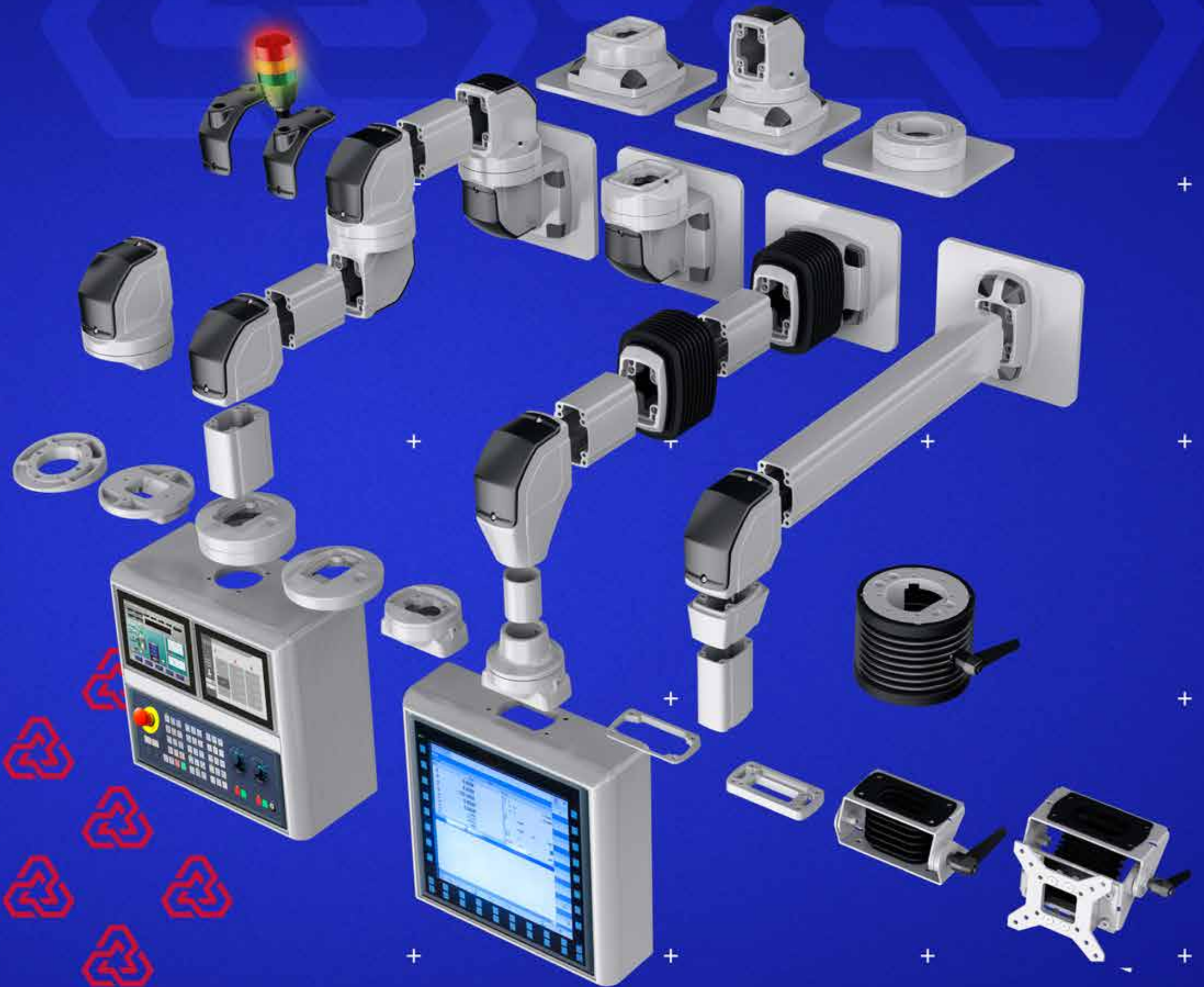


- 04** EXPORT COUNTRIES
- 06** ABOUT US
- 10** LOAD DIAGRAM
- 12** SUPPORT ARM SYSTEM
- 78** ENCLOSURE PANEL
- 96** PANEL WALL
MOUNTING APPLICATION
- 98** FRONT SHEET
INSTALLATION
- 99** FRONT SHEET
UNPROCESSED
- 102** KIOSK SYSTEM
- 116** COUPLING TOWERS
- 120** WARNING LAMP
- 126** LOCATION

LOAD DIAGRAM



SUPPORT ARM SYSTEMS



NEW

ARM130.900

Height Adjustable
Support Arm



**HEIGHT
ADJUSTABLE**

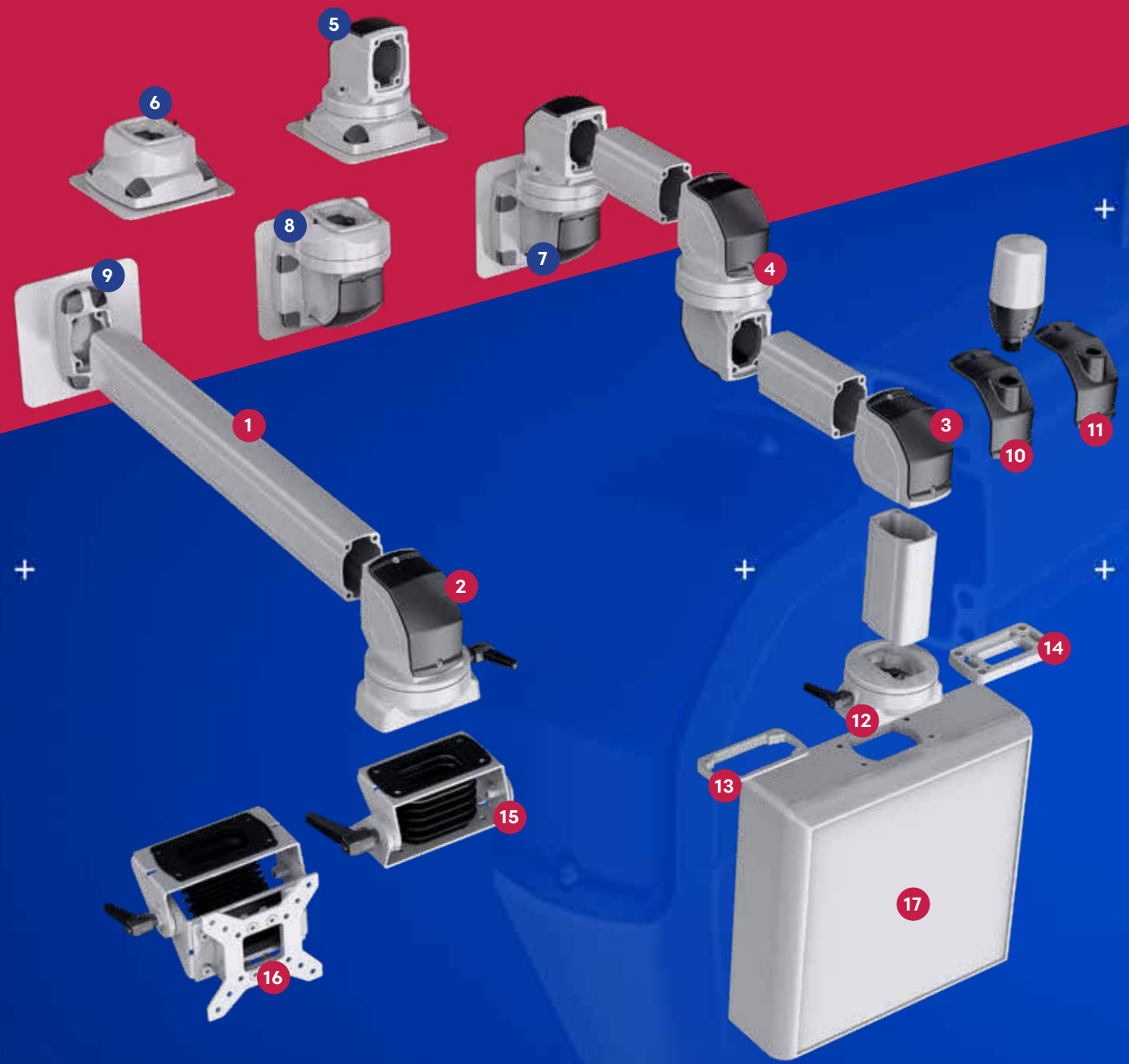


NEW

ARM080.900

Height Adjustable
Support Arm

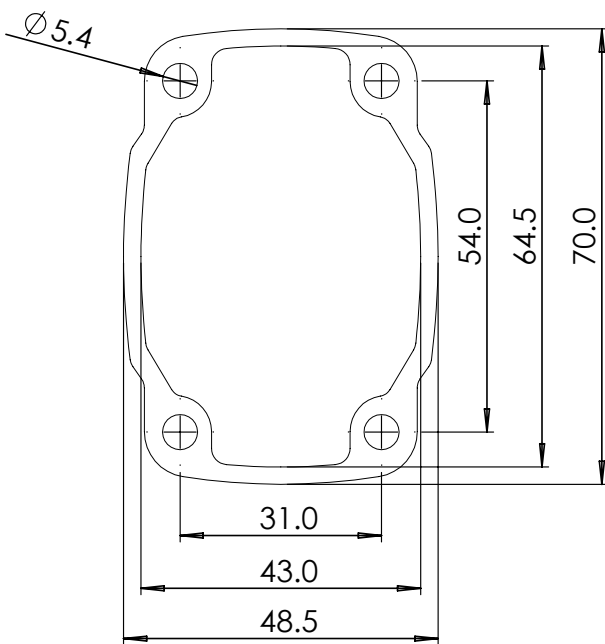




- 1 **ARM050 PROFILE** Support Arm Profile
- 2 **ARM050.400** Rotatable Panel 90°Angle Coupling
- 3 **ARM050.420** 90° Angle Piece
- 4 **ARM050.500** Rotatable Intermediate Hinge
- 5 **ARM050.600** Rotatable Top Mounted 90° Angle Joint
- 6 **ARM050.610** Rotatable Top Mounted Vertical Outlet
- 7 **ARM050.700** Rotatable Wall-Mounted Hinge Horizontal Outlet
- 8 **ARM050.710** Rotatable Wall-Mounted Hinge Vertical Outlet
- 9 **ARM050.800** Wall-Socket Mounting Bracket
- 10 **ARM050.810** Warning Lamp Cover (M22)
- 11 **ARM050.811** Warning Lamp Cover (M18)
- 12 **ARM050.830** Rotatable Panel Adaptor Vertical
- 13 **ARM080.831** 10° Angle Piece
- 14 **ARM080.832** 080 Adaptor
- 15 **ARM080.834** Panel Tilting Adaptor
- 16 **ARM080.835** Vesa Panel Tilting Adaptor
- 17 **PRO090 PANEL** PRO090 Enclosure Panel

SUPPORT ARM SYSTEMS **ARM050**

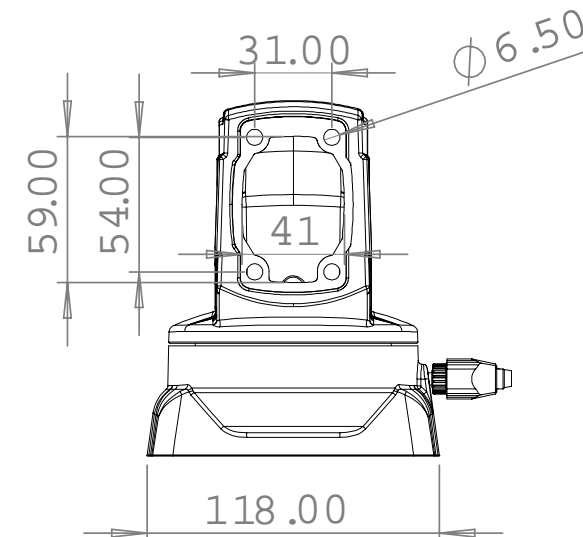
Support Arm Profile **ARM050.025**



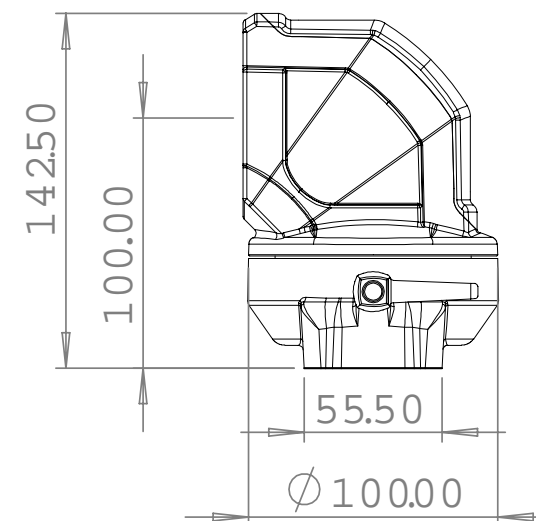
The series of ARM050 Operator Arm Systems are suitable for short length arm applications produced for panels carrying light loads. This operator support arm series offers many functional solutions with its wide range components. An operator arm of 1 m length can carry loads weighing up to 50 kg. Code RAL 7035 is a light gray paint used for this product with sealing feature.

Model No	Description	Length (mm)	Weight (mm)	Ral Code	Package Dimension
ARM050.025	050 Support Profile - 250mm	250	500	7035	50 x 75 x 260
ARM050.050	050 Support Profile - 500mm	500	1000	7035	50 x 75 x 510
ARM050.075	050 Support Profile - 750mm	750	1500	7035	50 x 75 x 760
ARM050.100	050 Support Profile - 1000mm	1000	2000	7035	50 x 75 x 1010
ARM050.125	050 Support Profile - 1250mm	1250	2500	7035	50 x 75 x 1260
ARM050.150	050 Support Profile - 1500mm	1500	3000	7035	50 x 75 x 1510
ARM050.175	050 Support Profile - 1750mm	1750	3500	7035	50 x 75 x 1760
ARM050.200	050 Support Profile - 2000mm	2000	4000	7035	50 x 75 x 2010

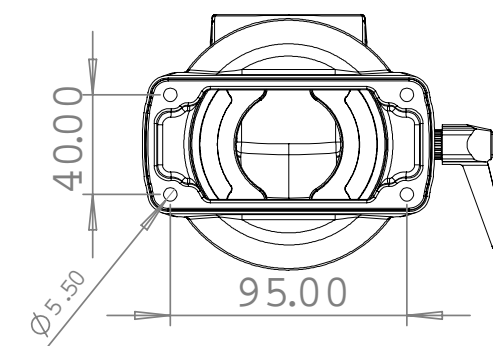
ARM050.400 Rotatable Panel 90° Angle Coupling



ARM050.400 Rotatable Panel 90° Angle Coupling is suitable for an operator panel that requires positioning directly after a 90° angle corner turn. The rotation angle is 315° in total. The ability to rotate around itself provides flexibility for the operator using the panel in bringing it to a desired position. ARM050.400 is an ideal product that will be used for the panel types with more depth.

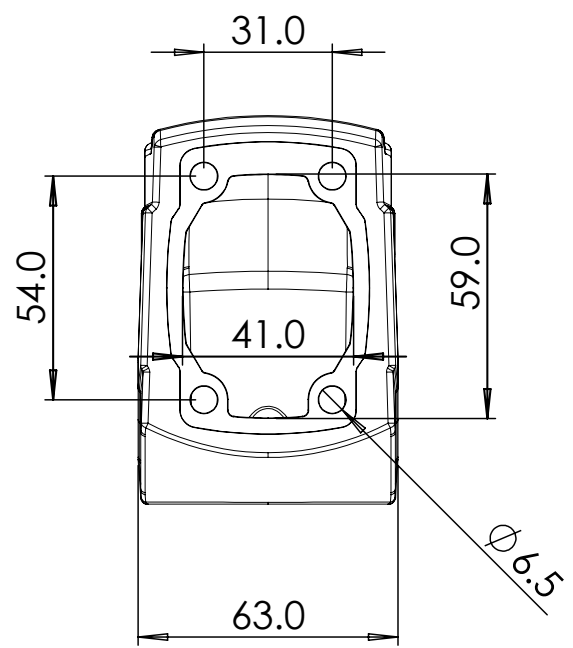


Weight	1000 gr
Color Ral No	RAL 7035 / Cover RAL 7016
Package	1
Package Dimension	140x155x110 mm
Material	Aluminum
Movement	Rotatable 315°

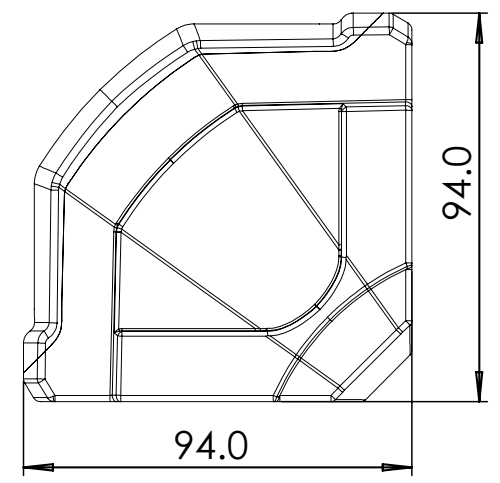


90° Angle Piece **ARM050.420**

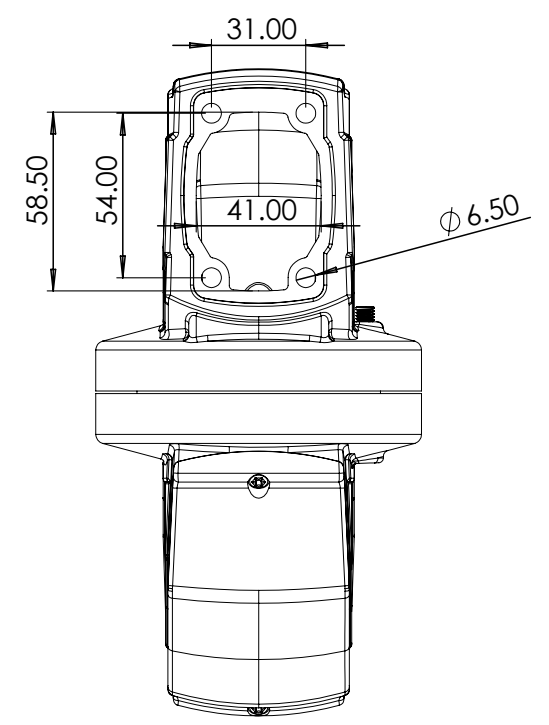
ARM050.500 Rotatable Intermediate Hinge



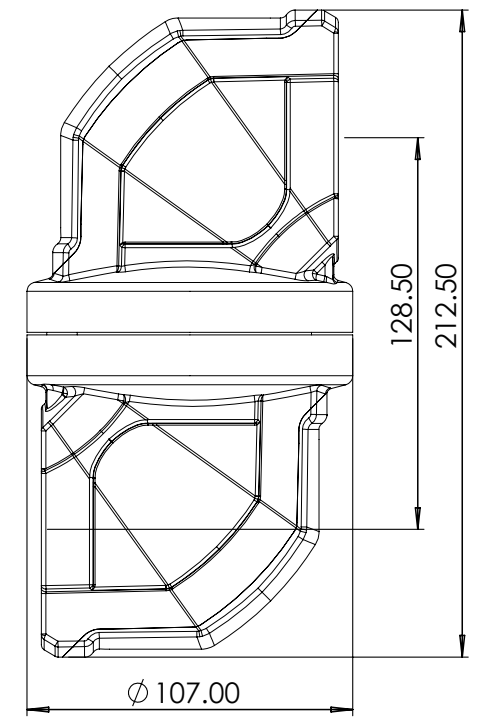
ARM050.420 90° Angle Piece is a fixed corner module that connects the operator arms in horizontal and vertical axis. Based on the structural features and usage conditions, this product can be used for light loads panels positioned in short distance and without any compatibility issues.



Weight	365 gr
Color Ral No	RAL 7035 / Cover RAL 7016
Package	1
Package Dimension	110x65x95 mm
Material	Aluminum
Movement	Fixed



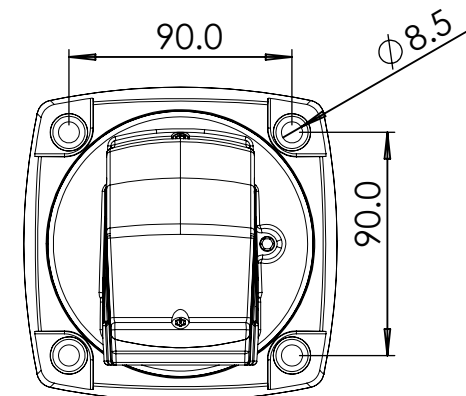
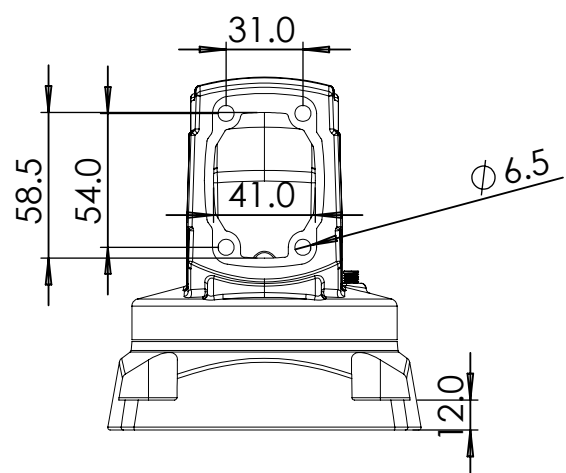
ARM050.500 Rotatable Intermediate Hinge module is used to ensure two operator arms on the horizontal axis are mounted on the assembly point and move at a semi-independent angel (315°) from each other. This product is an indispensable product for light loads and short lenght configurations in terms of structure and usage.



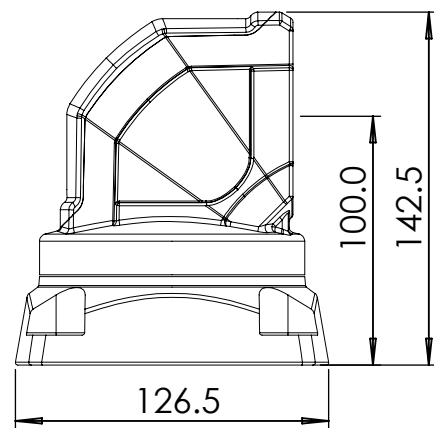
Weight	1725 gr
Color Ral No	RAL 7035 (Cover RAL 7016)
Package	1
Package Dimension	220x120x115 mm
Material	Aluminum
Movement	Rotatable 315°

Rotatable Top Mounted 90° Angle Joint

ARM050.600



ARM050.600 Rotatable Top Mounted 90° Angle Joint is produced to provide a connection for a high position point. It allows a smooth rotation for the panel horizontally and provides a 315° movement mobility to the right or left. This product is manufactured for light weight configurations.



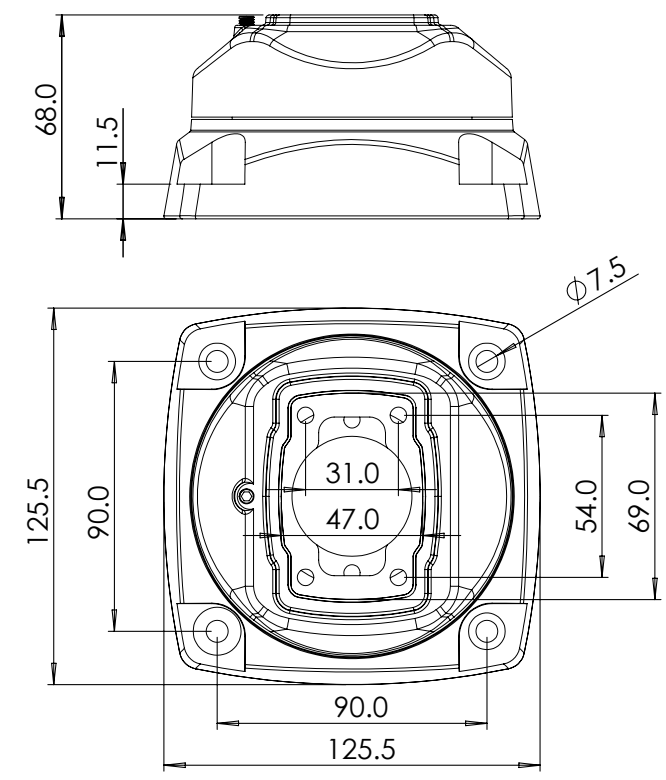
Weight	1700 gr
Color Ral No	RAL 7035 / Cover RAL 7016
Package	1
Package Dimension	140x145x130 mm
Material	Aluminum
Movement	Rotatable 315°

ARM050.610

Rotatable Top Mounted Vertical Outlet



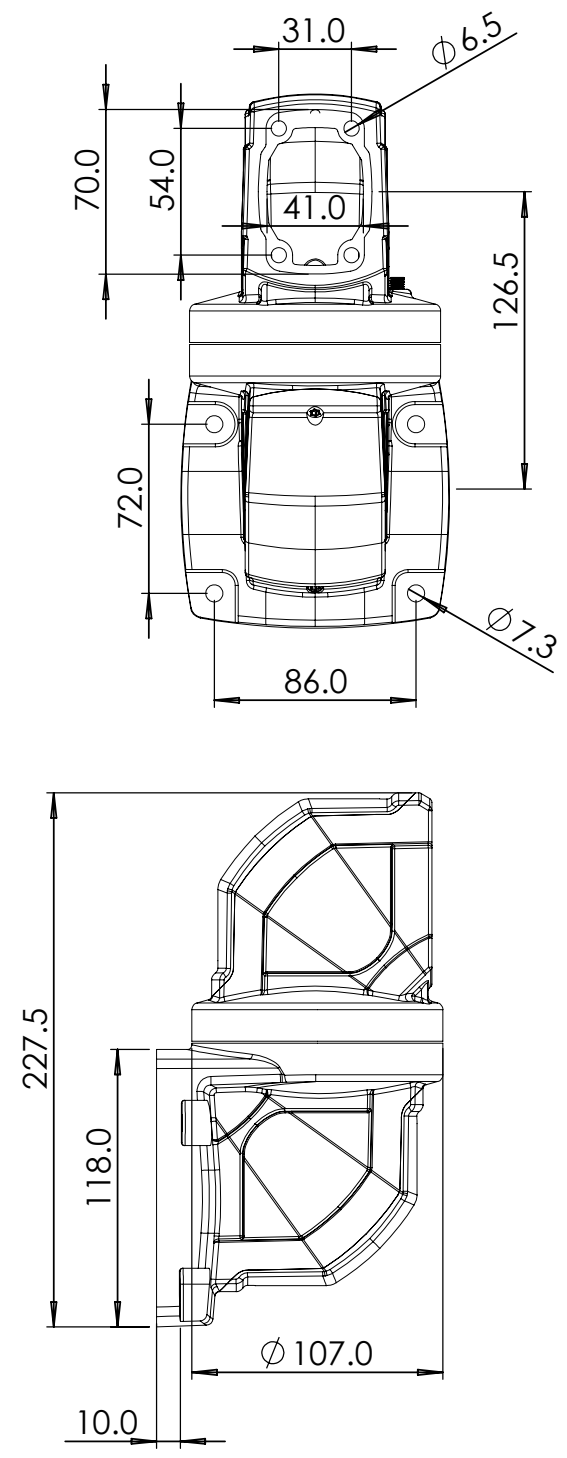
ARM050.610 Rotatable Top Mounted Vertical Outlet provides a 315° rotation movement to the right and left. It is designated for light loads configurations and can also serve as a "Fixed Kiosk".



Weight	1565 gr
Color Ral No	RAL 7035 / Cover RAL 7016
Package	1
Package Dimension	145x85x130 mm
Material	Aluminum
Movement	Rotatable 315°

Rotatable Wall-Mounted Hinge
Horizontal Outlet

ARM050.700

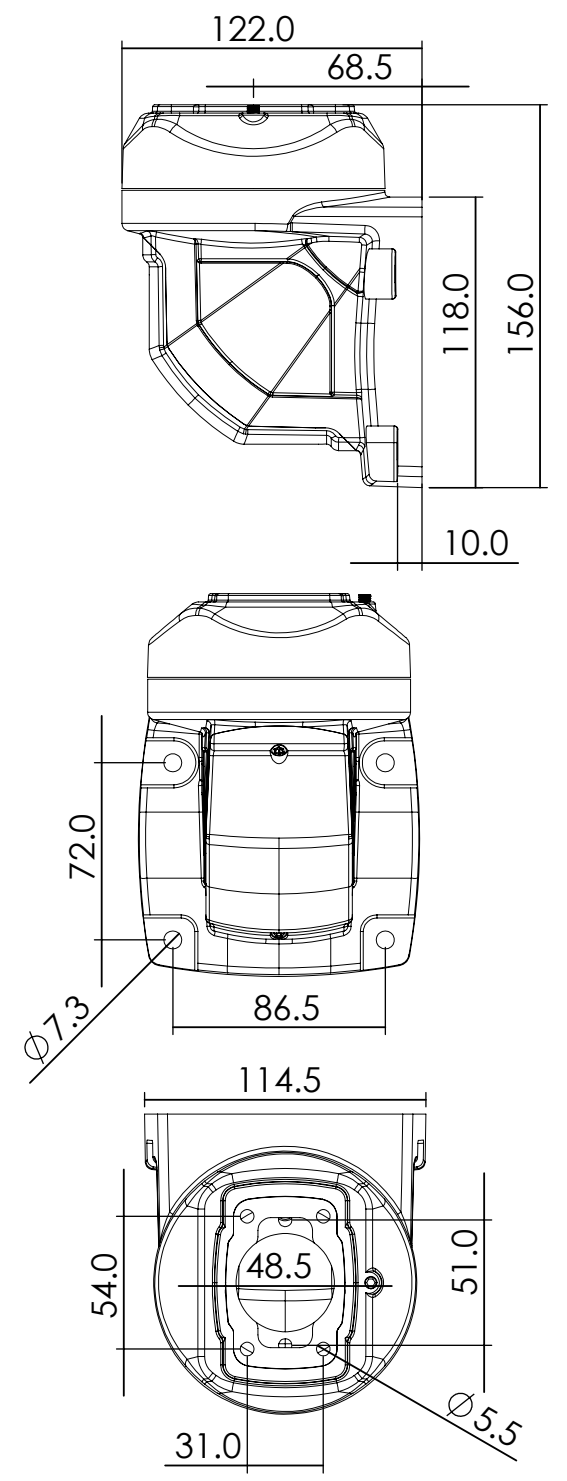


ARM050.700 Rotatable Wall-Mounted Hinge Horizontal Outlet is designed to create a connection point to any preferred point where it is unavailable on the ground. It allows the operator arm to move at a 315° left and right horizontally for light loads configurations.

Weight	1920 gr
Color Ral No	RAL 7035 / Cover RAL 7016
Package	1
Package Dimension	245x140x130 mm
Material	Aluminum
Movement	Rotatable 315°

ARM050.710

Rotatable Wall-Mounted Hinge
Vertical Outlet

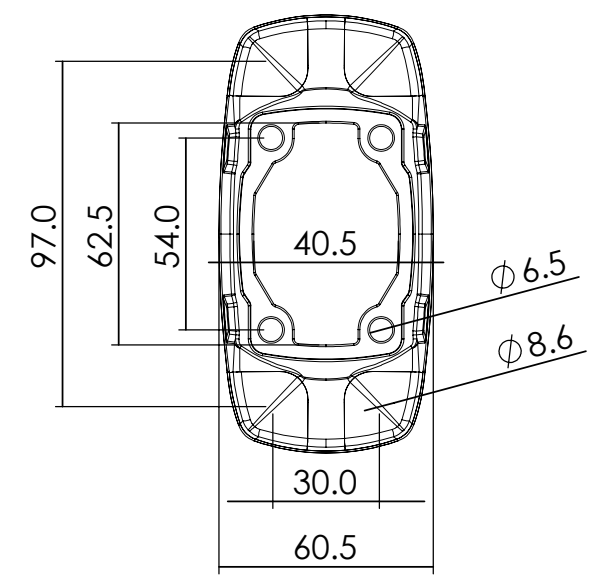


ARM050.710 Rotatable Wall-Mounted Hinge Vertical Outlet is designed to create a connection point to any preferred point vertically. It allows the operator arm to move at a 315° left and right vertically for light loads configurations.

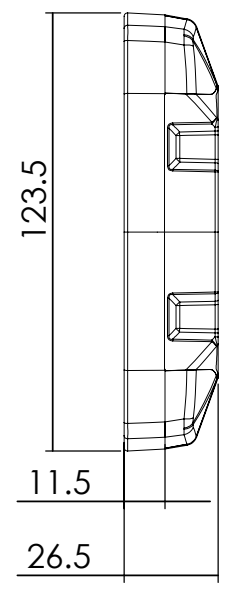
Weight	1770 gr
Color Ral No	RAL 7035 / Cover RAL 7016
Package	1
Package Dimension	180x130x125 mm
Material	Aluminum
Movement	Rotatable 315°

Wall-Socket Mounting Bracket

ARM050.800



ARM050.800 Wall-Socket Mounting Bracket is a fixed connection that can be easily connected to vertical and horizontal surfaces. It is produced for light loads configurations.



Weight	1000 gr
Color Ral No	RAL 7035 / Cover RAL 7016
Package	1
Package Dimension	140x30x65 mm
Material	Aluminum
Movement	Fixed

ARM050.810

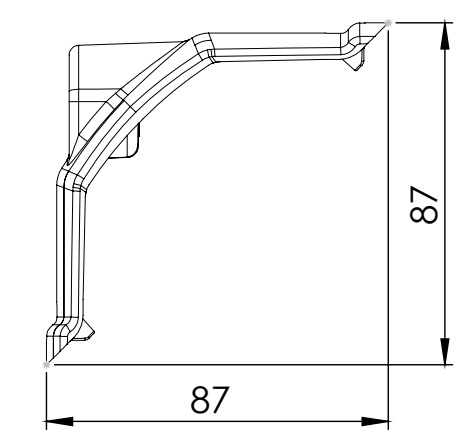
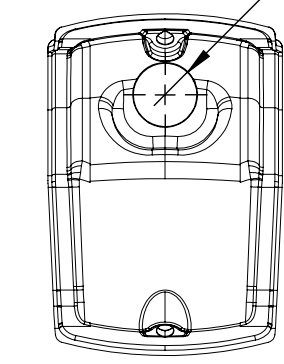
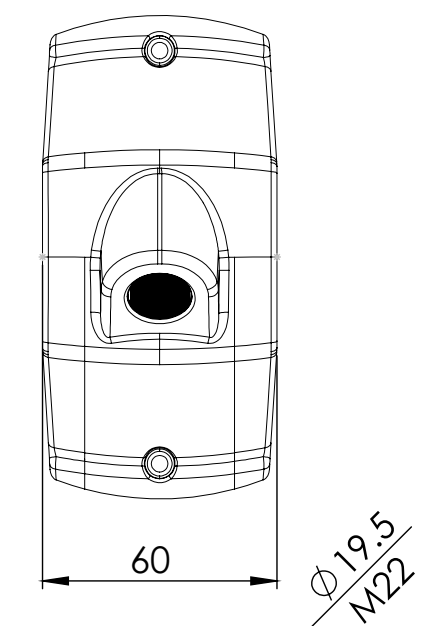
Warning Lamp Cover (M22)



ARM050.810 Warning Lamp Cover (M22) is placed on the corner module ensuring an area for the warning lamp to be placed. The warning lamp connection diameter is M22x1.5

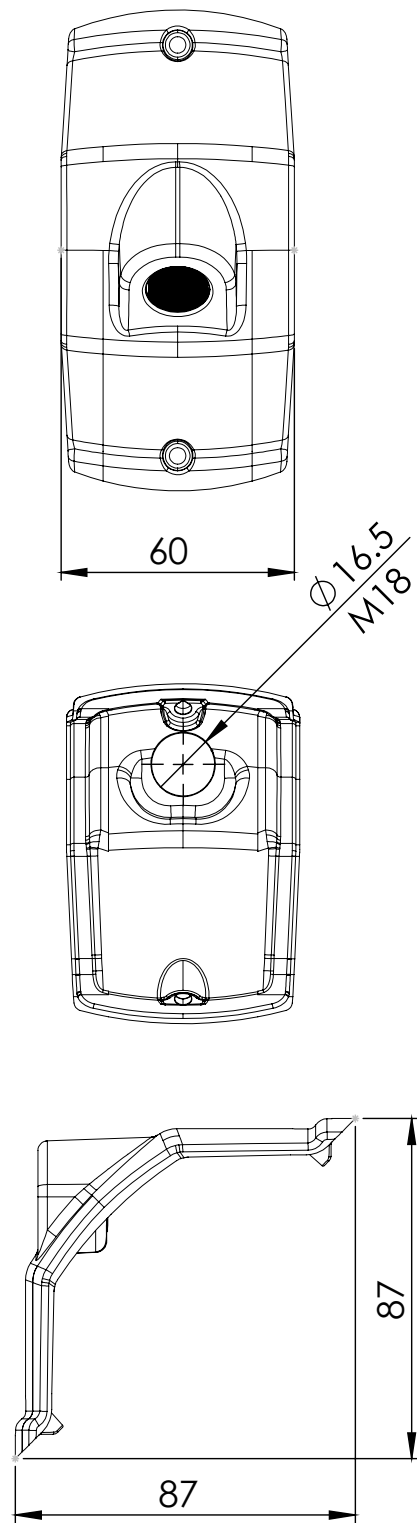
* Warning lamp hole can be drilled with the desired size.

Weight	130 gr
Color Ral No	RAL 7016
Package	1
Package Dimension	150x160x140 mm
Material	Aluminum
Movement	Fixed



Warning Lamp Cover (M18)

ARM050.811

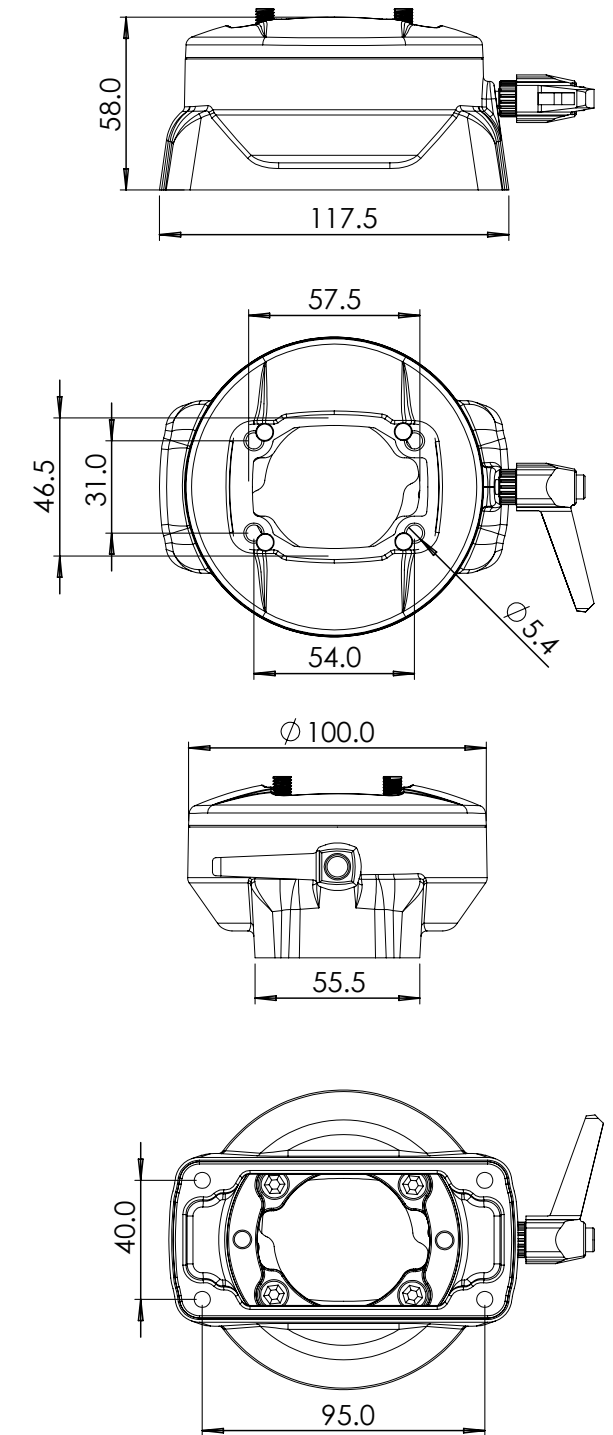


ARM050.811 Warning Lamp Cover (M18) is placed on the corner module ensuring an area for the warning lamp to be placed. The warning lamp connection diameter is M18x1.5
 * Warning lamp hole can be drilled with the desired size

Weight	130 gr
Color Ral No	RAL 7016
Package	1
Package Dimension	150x160x140 mm
Material	Aluminum
Movement	Fixed

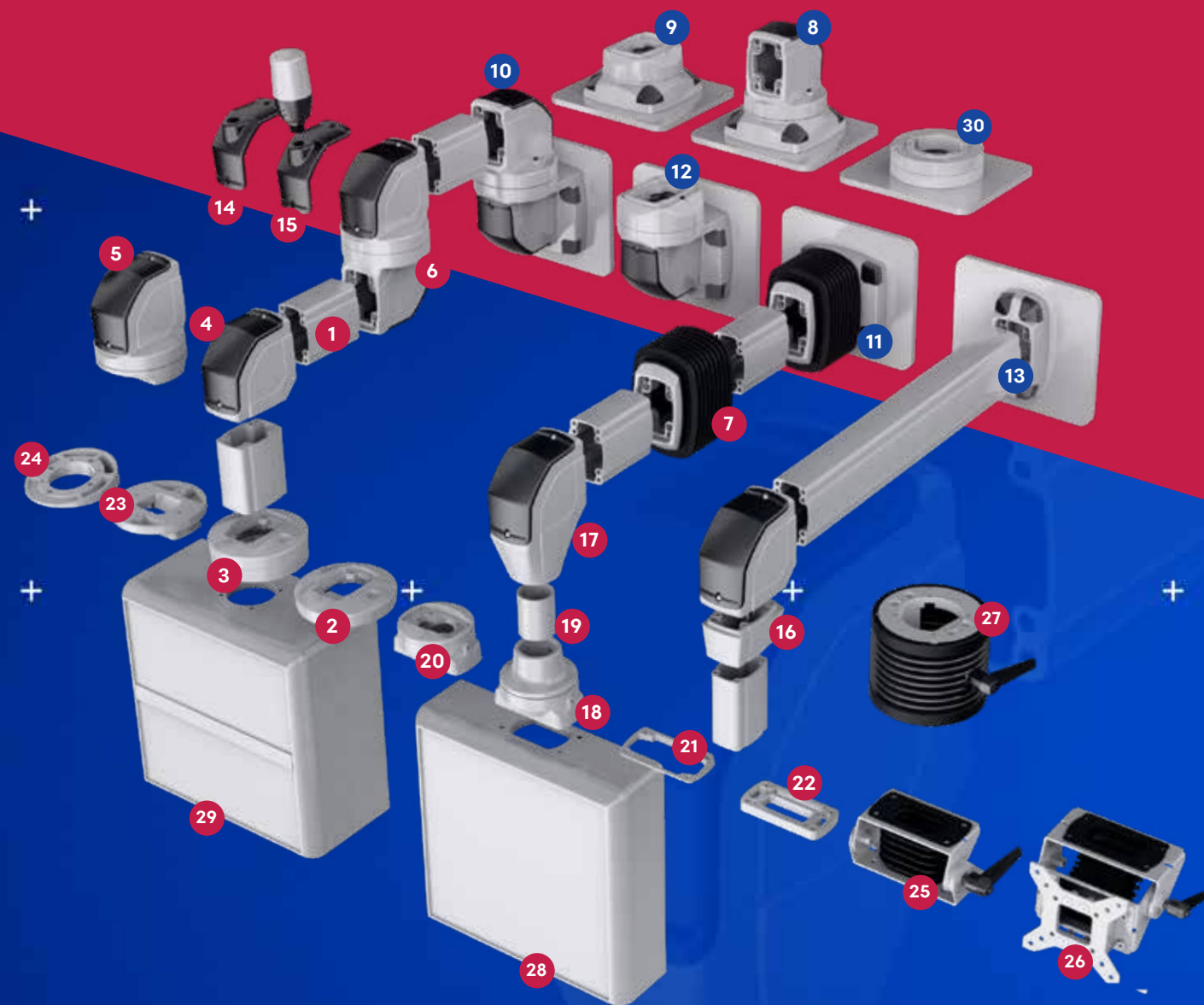
ARM050.830

Rotatable Panel Adaptor Vertical



ARM050.830 Rotatable Panel Adaptor Vertical is the connector between the operator panel and the operator arm. The dimension of the adaptor surface is 118x65mm which allows a 315° smooth rotation to the left and right. This product is designed for light loads and a suitable depth ratio.

Weight	720 gr
Color Ral No	RAL 7035
Package	1
Package Dimension	135x70x110 mm
Material	Aluminum
Movement	Rotatable 315°

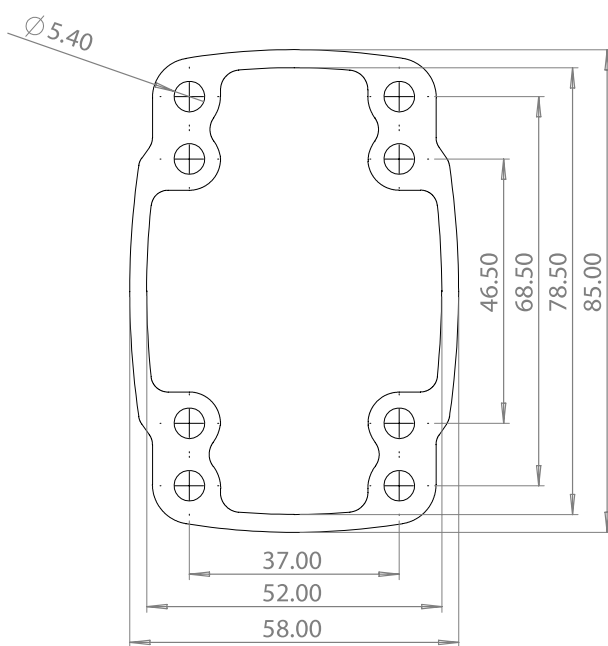


- | | | |
|-----------|-----------------------|--|
| 1 | ARM080 PROFILE | Support Arm Profile |
| 2 | ARM080.310 | Panel Coupling |
| 3 | ARM080.320 | Rotatable Panel Coupling |
| 4 | ARM080.400 | Rotatable Panel 90° Angle Coupling |
| 5 | ARM080.420 | 90° Angle Piece |
| 6 | ARM080.500 | Rotatable Intermediate Hinge |
| 7 | ARM080.505 | Steel Interconnection Module - With Bellows |
| 8 | ARM080.600 | Rotatable Top Mounted 90° Angle Joint |
| 9 | ARM080.610 | Rotatable Top Mounted Vertical Outlet |
| 10 | ARM080.700 | Rotatable Wall-Mounted Hinge Horizontal Outlet |
| 11 | ARM080.705 | Steel Wall Mounted Module - With Bellows |
| 12 | ARM080.710 | Rotatable Wall-Mounted Hinge Vertical Outlet |
| 13 | ARM080.800 | Wall-Socket Mounting Bracket |
| 14 | ARM080.810 | Warning Lamp Cover (M22) |
| 15 | ARM080.811 | Warning Lamp Cover (M18) |
| 16 | ARM080.820 | 080/050 Support Arm Adaptor |
| 17 | ARM080.825 | 080/Ø48 Adaptor |
| 18 | ARM080.826 | Ø48 Adaptor |
| 19 | ARM080.827 | Ø48 Pipe Profile |
| 20 | ARM080.830 | Rotatable Panel Adaptor Vertical |
| 21 | ARM080.831 | 10° Angle Piece |
| 22 | ARM080.832 | 080 Panel Adaptor |
| 23 | ARM080.833 | Ø134 mm Panel Adaptor |
| 24 | ARM080.834 | Ø134 mm 10° Panel Adaptor |
| 25 | ARM080.835 | Panel Tilting Adaptor |
| 26 | ARM080.836 | Vesa Panel Tilting Adaptor |
| 27 | ARM080.840 | Ø130 mm Panel Tilting Adaptor - With Bellows |
| 28 | PRO060 PANEL | PRO060 Enclosure Panel |
| 29 | PRO130 PANEL | PRO130 Enclosure Panel |
| 30 | ARM080.321 | Rotatable Panel Coupling |

SUPPORT ARM SYSTEMS

ARM080

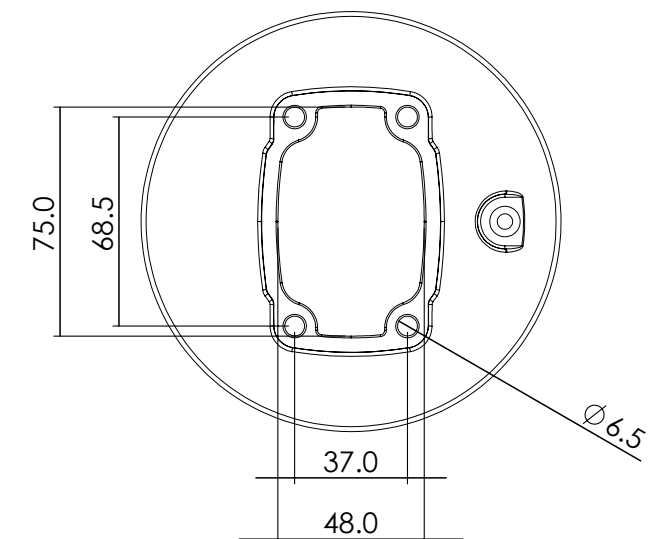
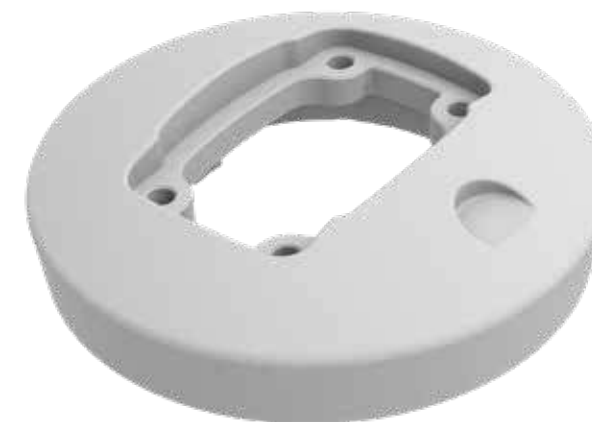
Support Arm Profile **ARM080.025**



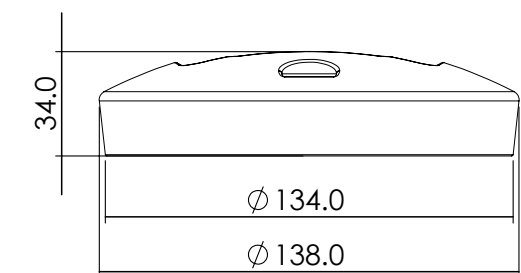
ARM080 Operator Arm Systems determines the working and movement area of the ARM series. It is produced for medium-sized control panels. In addition to its modern structure, it is designed with advanced technology conditions and works with other modules at high efficiency bringing the operator arm to the fore. This operator arm can be produced in any requested lengths. The load capacity of a 1m long operator arm is up to 80kg. RAL 7035 light gray paint is used for this module with also sealing feature.

Model No	Description	Length (mm)	Weight (mm)	Ral Code	Package Dimension
ARM080.025	080 Support Profile - 250mm	250	1000	7035	55 x 90 x 260
ARM080.050	080 Support Profile - 500mm	500	2000	7035	55 x 90 x 510
ARM080.075	080 Support Profile - 750mm	750	3000	7035	55 x 90 x 760
ARM080.100	080 Support Profile - 1000mm	1000	4000	7035	55 x 90 x 1010
ARM080.125	080 Support Profile - 1250mm	1250	5000	7035	55 x 90 x 1260
ARM080.150	080 Support Profile - 1500mm	1500	6000	7035	55 x 90 x 1510
ARM080.175	080 Support Profile - 1750mm	1750	7000	7035	55 x 90 x 1760
ARM080.200	080 Support Profile - 2000mm	2000	8000	7035	55 x 90 x 2010

ARM080.310 Panel Coupling



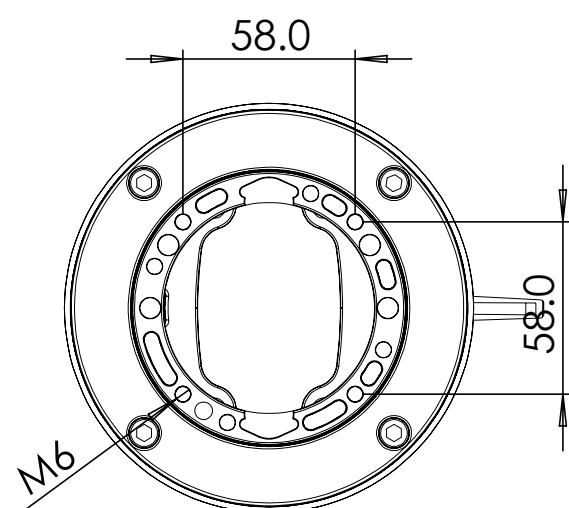
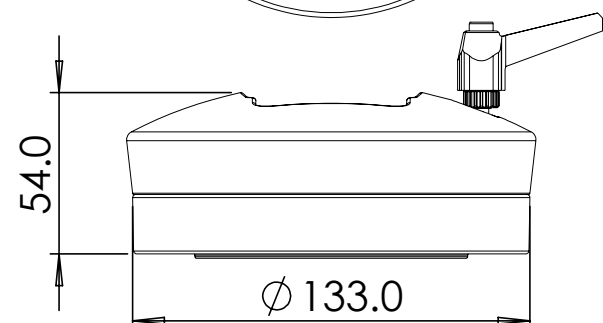
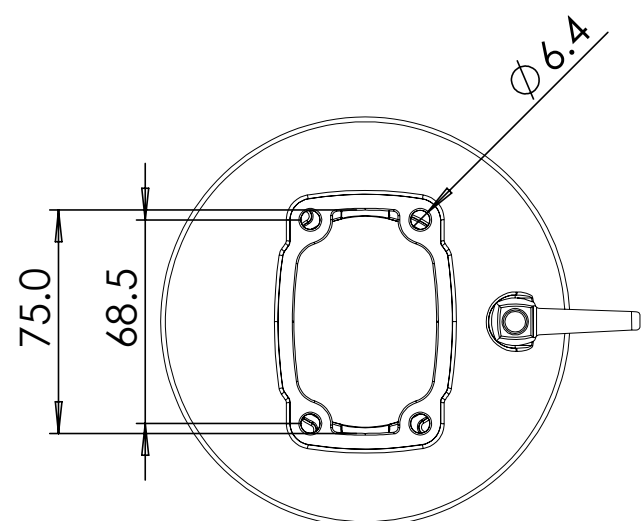
Ø134mm Panel Coupling provides the connection between the operator arm and the operator panel. ARM080.310 is a fixed module. The diameter is 130mm and produced for wide panels with depth.



Weight	440 gr
Color Ral No	RAL 7035
Package	1
Package Dimension	135x40x135 mm
Material	Aluminum
Movement	Fixed
Diameter	Ø134 mm

Rotatable Panel Coupling

ARM080.320

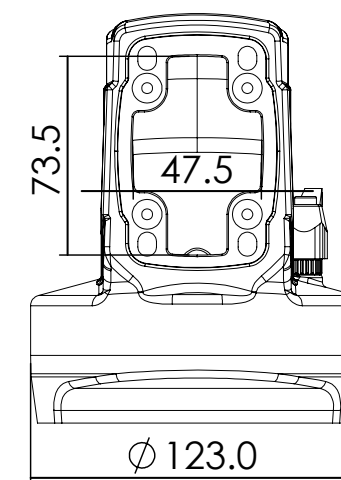
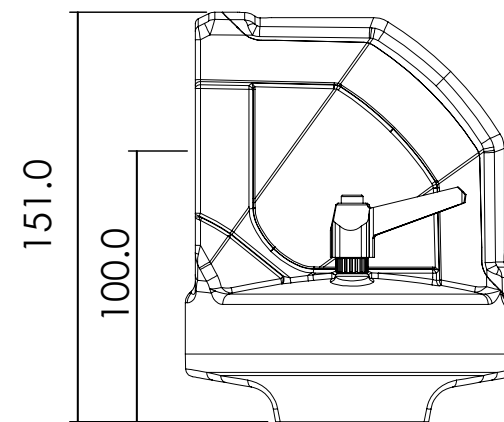


ARM080.320 Rotatable Panel Coupling provides the connection between the operator arm and the operator panel. The diameter is 133mm with a rotation capacity of 315° allowing the operator to rotate the panel to any desired position. It is produced for panel types with high depth ratio.

Weight	1240 gr
Color Ral No	RAL 7035
Package	1
Package Dimension	150x65x140 mm
Material	Aluminum
Movement	Rotatable 315°
Diameter	Ø133 mm

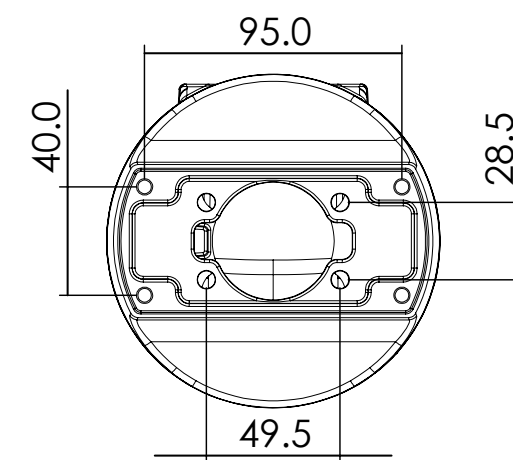
ARM080.400

Rotatable Panel 90° Angle Coupling



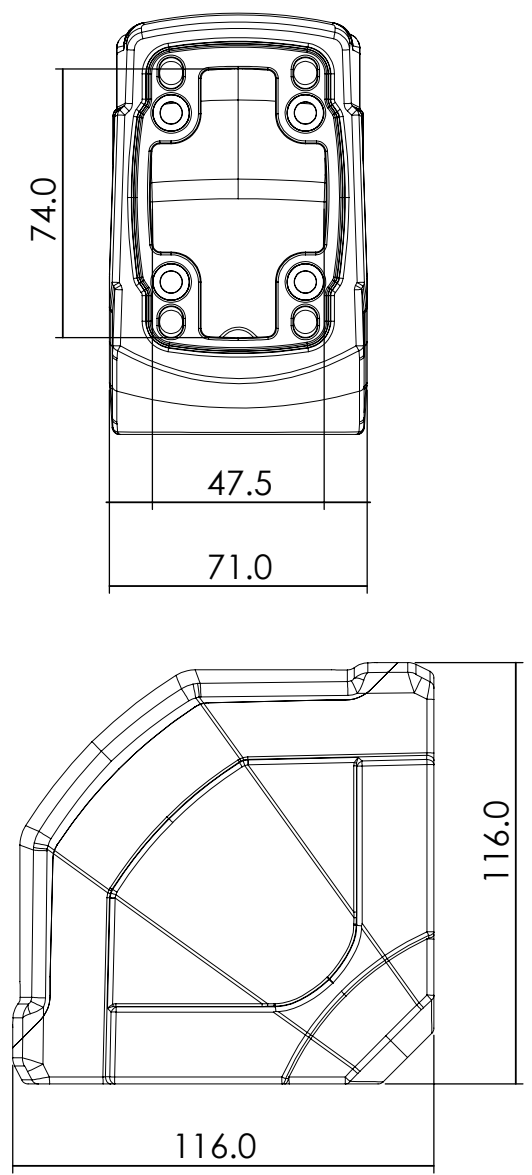
ARM080.400 Rotatable Panel 90° Angle Coupling is suitable for an operator panel that requires positioning directly after a 90° angle corner turn. Max. diameter is 123mm and the rotation angle is 315° in total. The ability to rotate around itself provides flexibility for the operator using the panel in bringing it to a desired position. ARM080.400 is an ideal product that will be used for the panel types with more depth.

Weight	1780 gr
Color Ral No	RAL 7035 / Cover RAL 7016
Package	1
Package Dimension	150x160x140 mm
Material	Aluminum
Movement	Rotatable 315°
Diameter	Ø123 mm



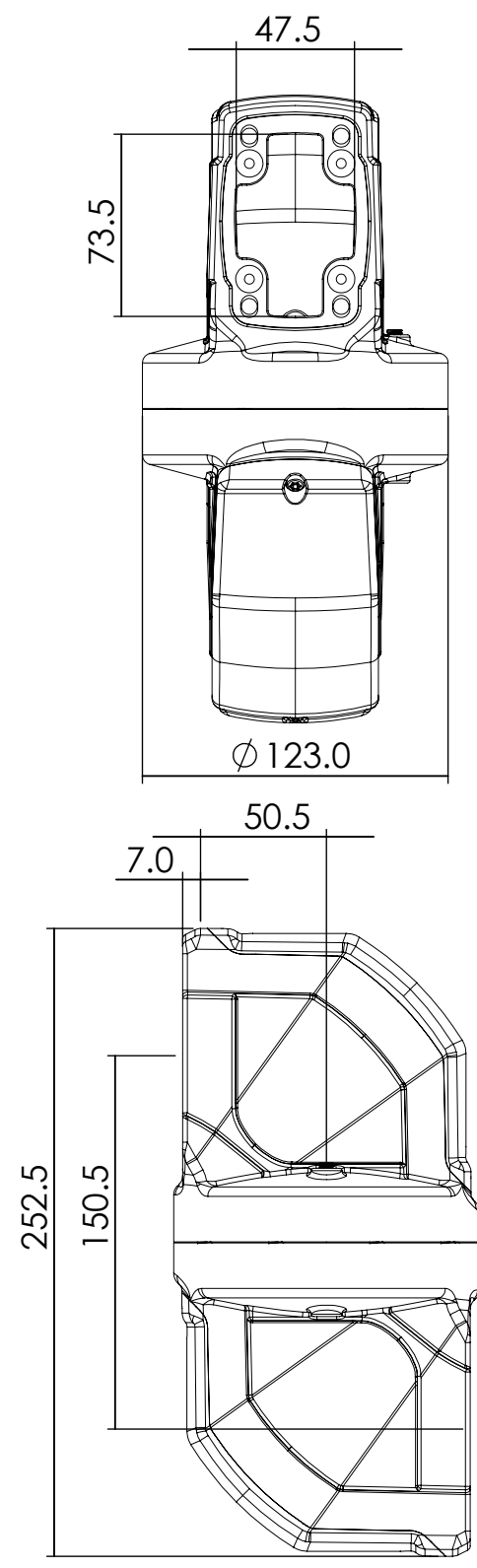
90° Angle Piece **ARM080.420**

ARM080.500 Rotatable Intermediate Hinge



ARM080.420 90° Angle Piece is a fixed corner module that connects the operator arms in horizontal and vertical axis. Based on the structural features and usage conditions, this product can be used for medium loads panels positioned in medium distance and without any compatibility issues.

Weight	640 gr
Color Ral No	RAL 7035 / Cover RAL 7016
Package	1
Package Dimension	125x75x115 mm
Material	Aluminum
Movement	Fixed

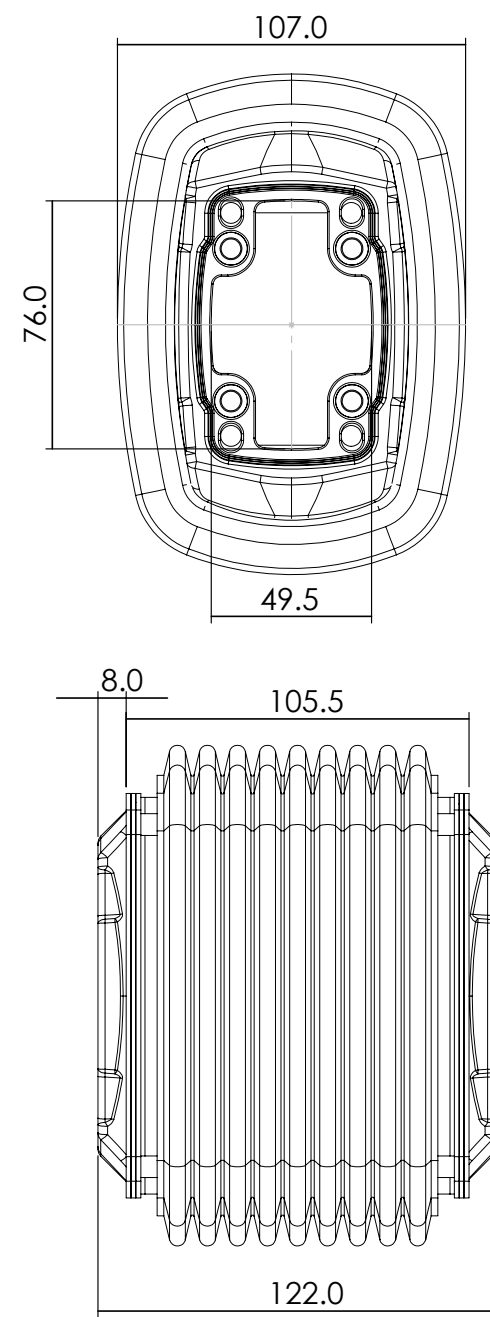


ARM080.500 Rotatable Intermediate Hinge module is used to ensure two operator arms on the horizontal axis are mounted on the assembly point and move at a semi-independent angle (315°) from each other. This product is an indispensable product for medium loads and medium length configurations in terms of structure and usage.

Weight	2060 gr
Color Ral No	RAL 7035 / Cover RAL 7016
Package	1
Package Dimension	250x130x125 mm
Material	Aluminum
Movement	Rotatable 315°

Steel Interconnection Module - With Bellows

ARM080.505

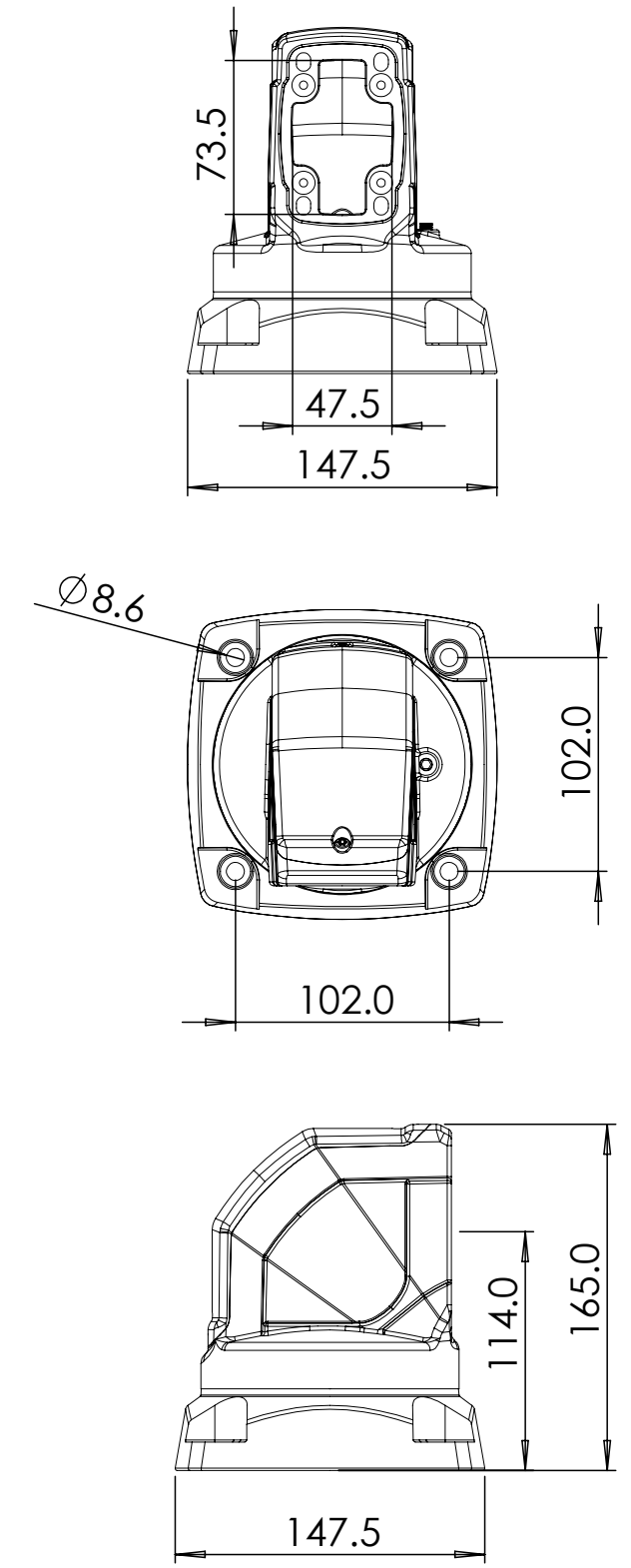


ARM080.505 Steel Interconnection Module - With Bellows is used to mount two operator arms to the connection points horizontally enabling them to move at 90° to the right or 90° to the left. The cast steel body of this product safely combines heavy and long arm configurations.

Weight	2200 gr
Color Ral No	RAL 7035 / Bellow RAL 7016
Package	1
Package Dimension	180x140x120 mm
Material	Steel Casting
Movement	Right 90° - Left 90°

ARM080.600

Rotatable Top Mounted 90° Angle Joint

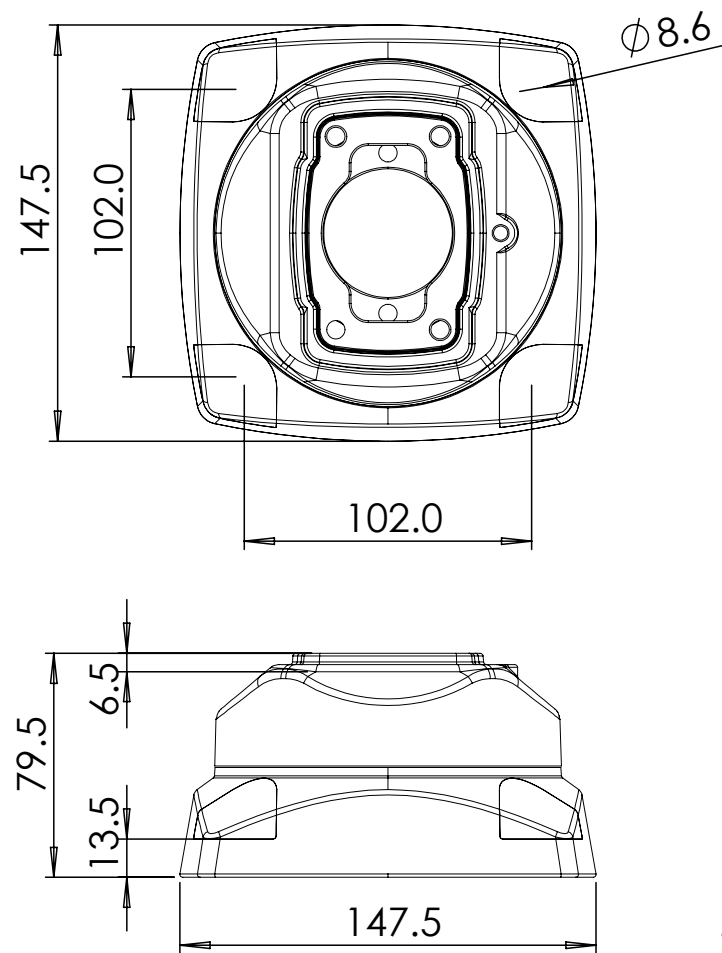


ARM080.600 Rotatable Top Mounted 90° Angle Joint is produced to provide a connection for a high position point. It allows a smooth rotation for the panel horizontally and provides a 315° movement mobility to the right or left. This product is designated for configurations with medium loads.

Weight	2590 gr
Color Ral No	RAL 7035 / Cover RAL 7016
Package	1
Package Dimension	160x170x150 mm
Material	Aluminum
Movement	Rotatable 315°

Rotatable Top Mounted Vertical Outlet

ARM080.610



ARM080.610 Rotatable Top Mounted Vertical Outlet provides a 315° rotation movement to the right and left. It is designated for medium loads configurations and can also serve as a "Fixed Kiosk"

Weight	1950 gr
Color Ral No	RAL 7035 / Cover RAL 7016
Package	1
Package Dimension	155x90x140 mm
Material	Aluminum
Movement	Rotatable 315°

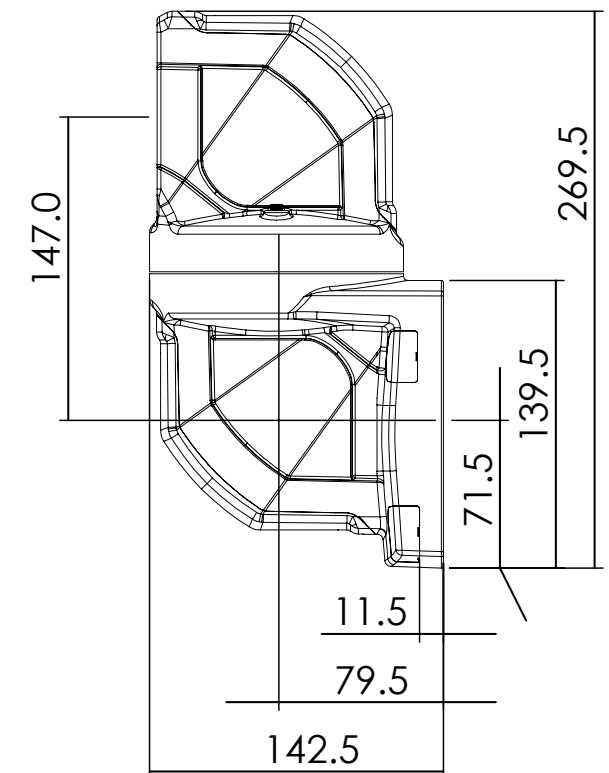
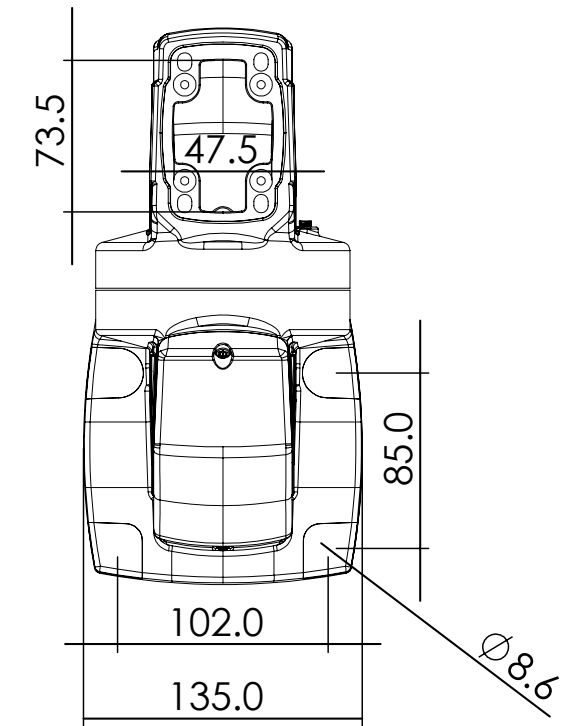
ARM080.700

Rotatable Wall-Mounted Hinge Horizontal Outlet



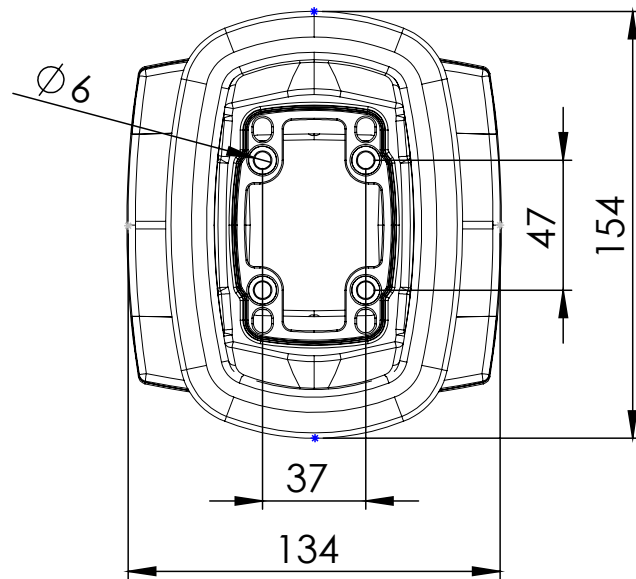
ARM080.700 Rotatable Wall-Mounted Hinge Horizontal Outlet is designed to create a connection point to any preferred point where it is unavailable on the ground. It allows the operator arm to move at a 315° left and right horizontally for medium loads configurations.

Weight	2550 gr
Color Ral No	RAL 7035 / Cover RAL 7016
Package	1
Package Dimension	275x145x150 mm
Material	Aluminum
Movement	Rotatable 315°

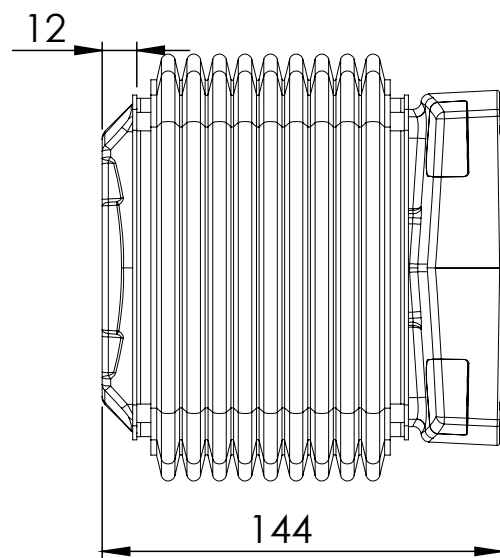


Steel Wall Mounted Module - With Bellows

ARM080.705



The Steel Wall-Mounted Module - With Bellows helps fixing the operator arms horizontally which are positioned on vertical surfaces. This product with its cast steel body gives reliability for heavy loads and long-distance arm configurations. It allows a mobility of 90° to the right and left.



Weight	3300 gr
Color Ral No	RAL 7035 / Bellow RAL 7016
Package	1
Package Dimension	185x155x135 mm
Material	Steel Casting
Movement	Right 90° - Left 90°

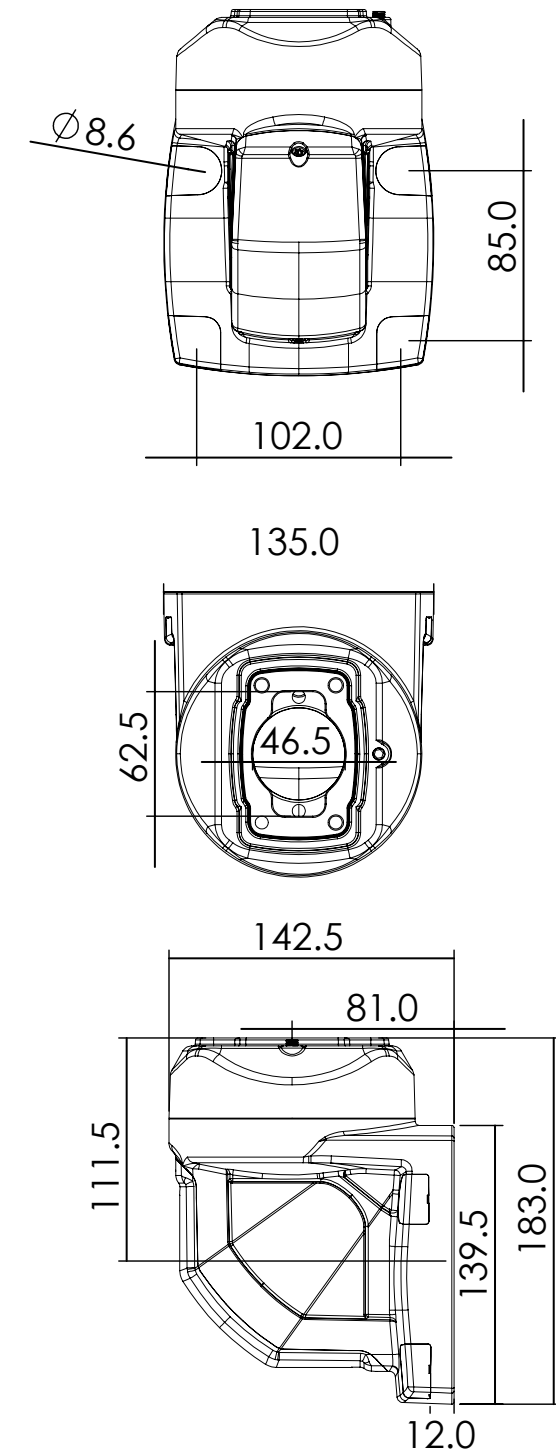
ARM080.710

Rotatable Wall-Mounted Hinge Vertical Outlet



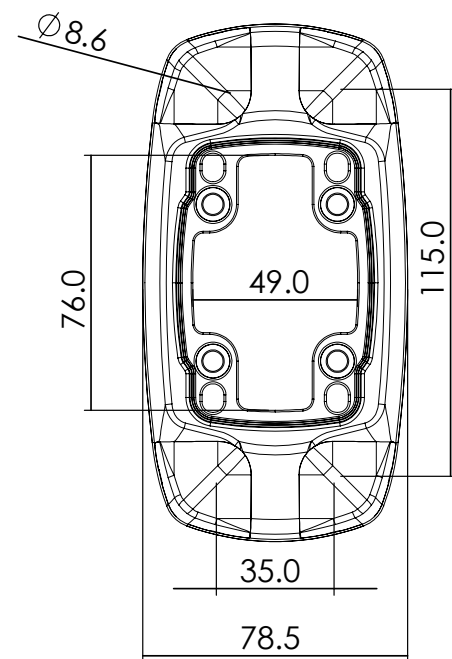
ARM80.710 Rotatable Wall-Mounted Hinge Vertical Outlet is designed to create a connection point to any preferred point vertically. It allows the operator arm to move at a 315° left and right for medium loads configurations.

Weight	2280 gr
Color Ral No	RAL 7035 / Cover RAL 7016
Package	1
Package Dimension	200x145x145 mm
Material	Aluminum
Movement	Rotatable 315°

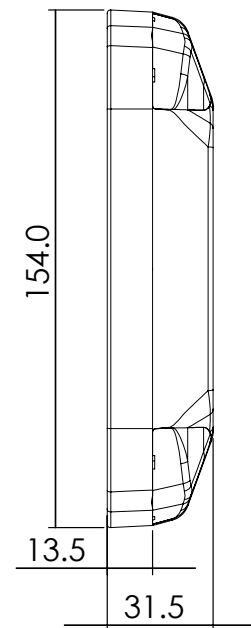


Wall-Socket Mounting Bracket

ARM080.800



ARM080.800 Wall-Socket Mounting Bracket is a fixed connection that can be easily connected to vertical and horizontal surfaces. It is produced for medium loads configurations.



Weight	320 gr
Color Ral No	RAL 7035 / Cover RAL 7016
Package	1
Package Dimension	165x75x35 mm
Material	Aluminum
Movement	Fixed

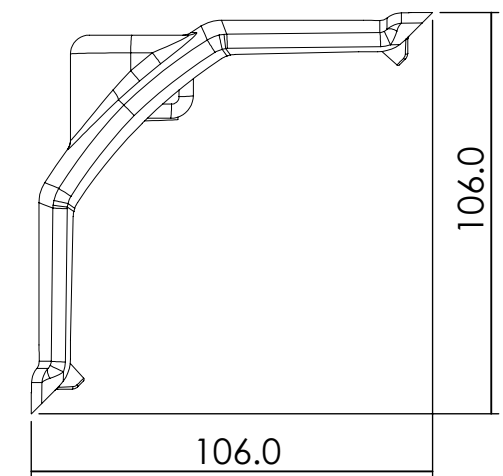
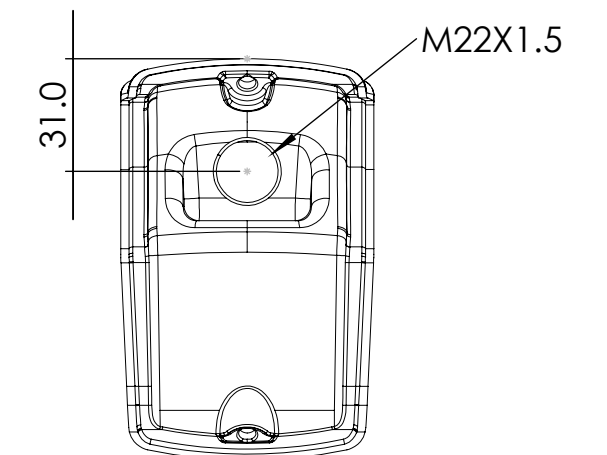
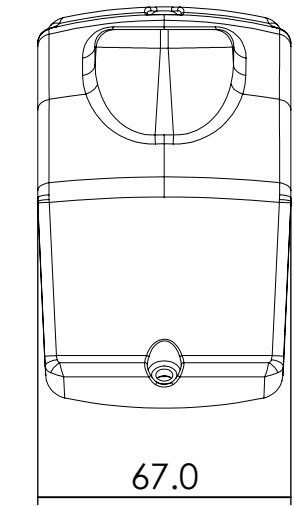
ARM080.810

Warning Lamp Cover (M22)



ARM080.810 Warning Lamp Cover (M22) is placed on the corner module ensuring an area for the warning lamp to be placed. The warning lamp connection diameter is M22x1.5

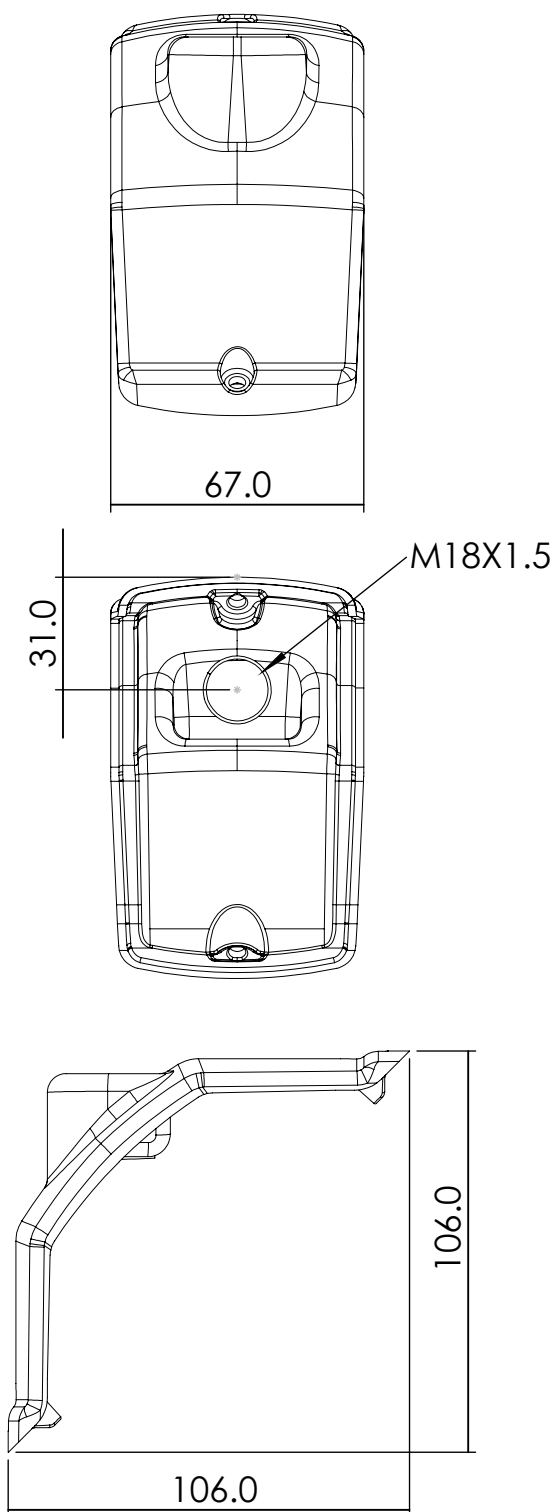
* Warning lamp hole can be drilled with the desired size.



Weight	130 gr
Color Ral No	RAL 7016
Package	1
Package Dimension	145x50x70 mm
Material	Aluminum
Movement	Fixed

Warning Lamp Cover (M18)

ARM080.811



ARM080.811 Warning Lamp Cover (M18) is placed on the corner module ensuring an area for the warning lamp to be placed. The warning lamp connection diameter is M18x1.5

* Warning lamp hole can be drilled with the desired size.

Weight	130 gr
Color Ral No	RAL 7016
Package	1
Package Dimension	145x50x70 mm
Material	Aluminum
Movement	Fixed

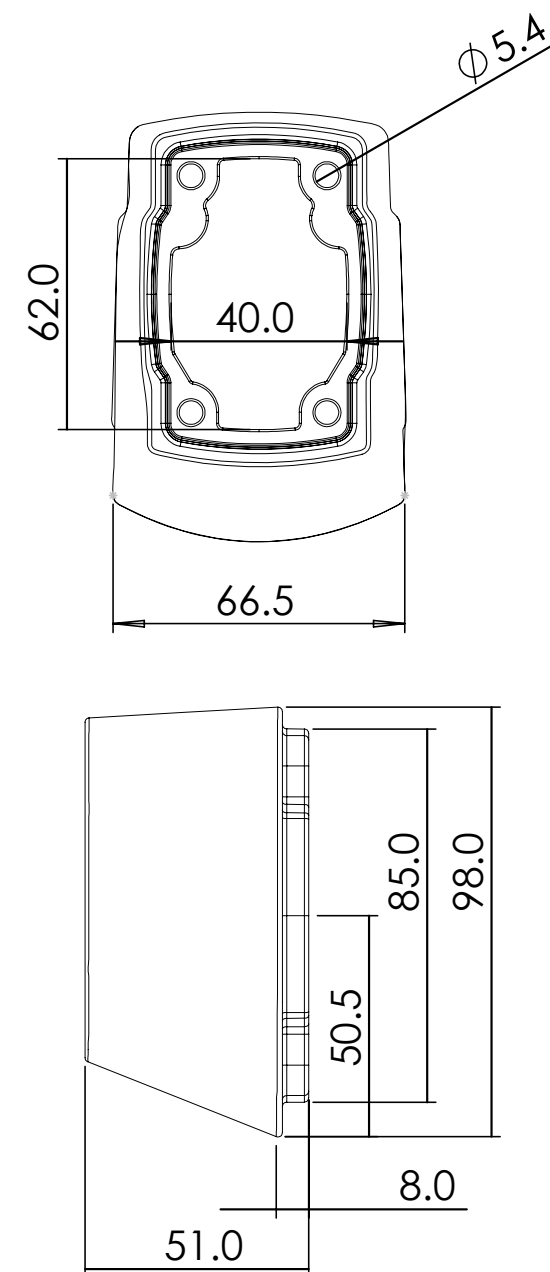
ARM080.820

080 / 050 Support Arm Adaptor



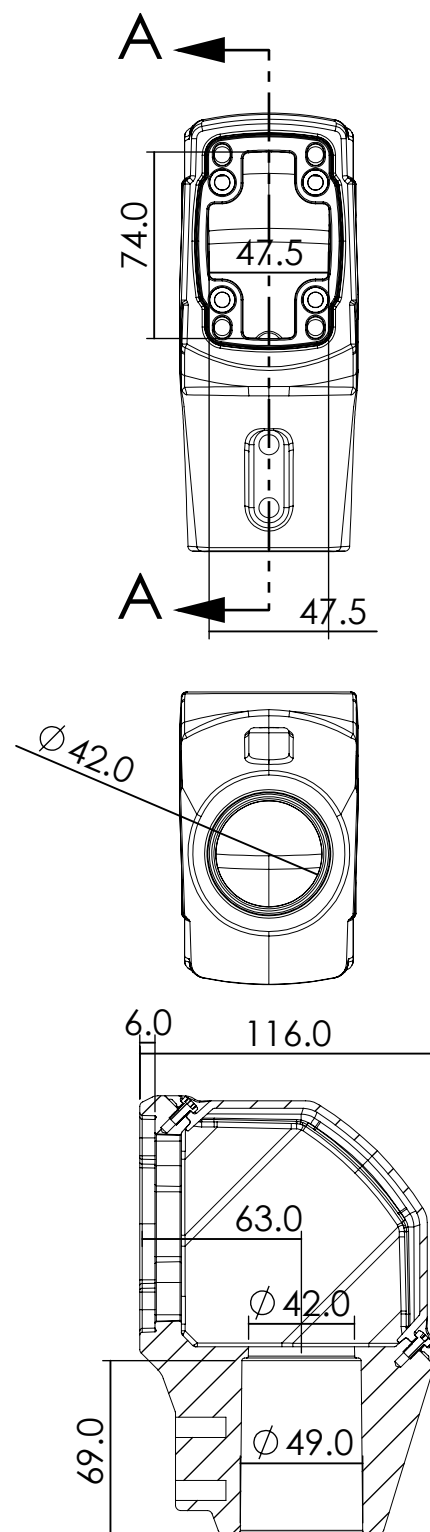
080/050 Support Arm Adaptor is used to secure the connection between ARM080 and ARM050. It is designed for configurations of heavy loads. The configurations with this product prevent vibrating and sagging as a result of heavy loads. This support Arm Adaptor can be used horizontally or vertically.

Weight	500 gr
Color Ral No	RAL 7035
Package	1
Package Dimension	150x160x140 mm
Material	Aluminum
Movement	Fixed



080/Ø48 Adaptor

ARM080.825



Armendus ARM080.825 is an 080/Ø48 Adaptor produced in accordance with operator systems and industrial machines belonging to different sectors, it is designed to fit all profile models. With its waterproof module, you can connect tube profiles of different weights and lengths and mount them on durable surfaces.

Weight	1000 gr
Color Ral No	RAL 7035 / Cover RAL 7016
Package	1
Package Dimension	190x80x120 mm
Material	Aluminum
Movement	Fixed

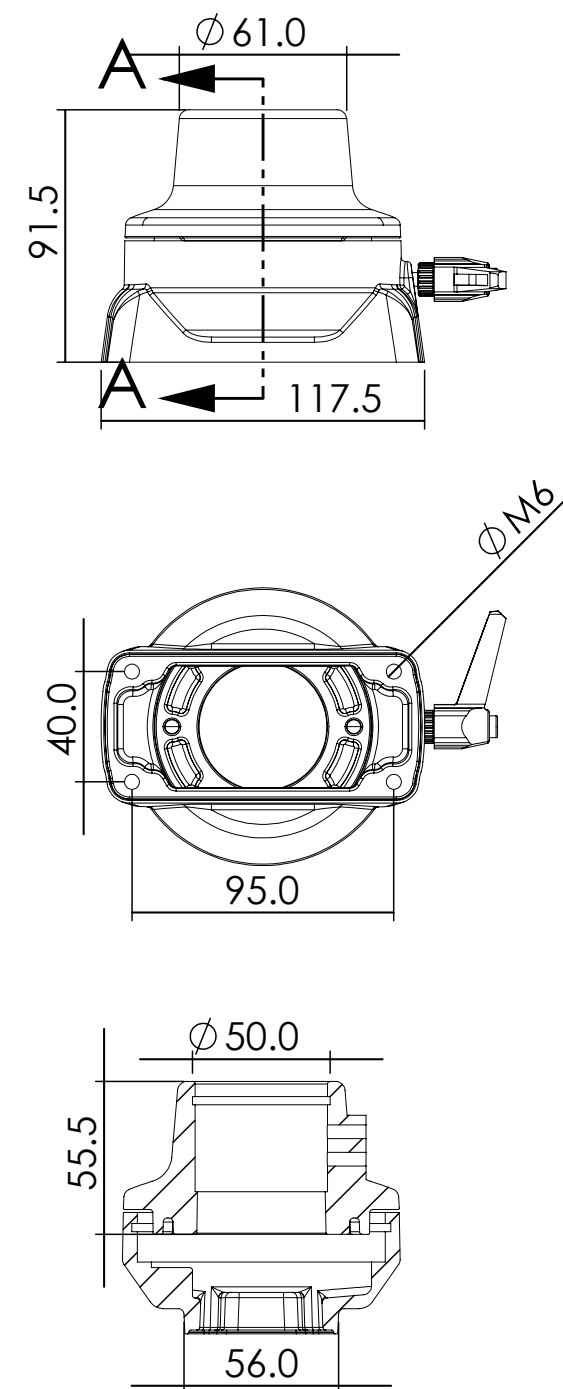
ARM080.826

Ø48 Adaptor



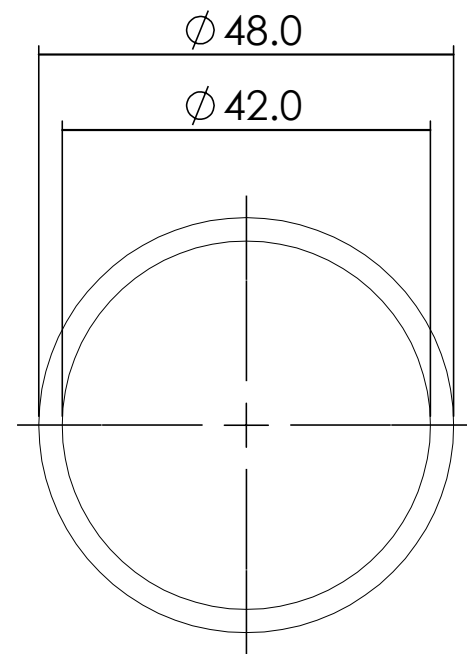
ARM080.826 Ø48 adaptor has an ergonomic structure used to connect the operating panels to the mechanical system. You can adjust the rotation angle at the desired position with the switch lever located on the side surface of the module.

Weight	930 gr
Color Ral No	RAL 7035
Package	1
Package Dimension	140x120x110 mm
Material	Aluminum
Movement	Rotatable 350°



Ø48 Pipe Profile

ARM080.827



ARM080.827 Ø48 pipe profile is compatible with all kinds of mechanical tools. Armendus expert team produced and developed this profile pipe with high standards.

Weight	800 gr
Color Ral No	RAL 7035
Package	1
Package Dimension	250x50x50 mm
Material	Aluminum

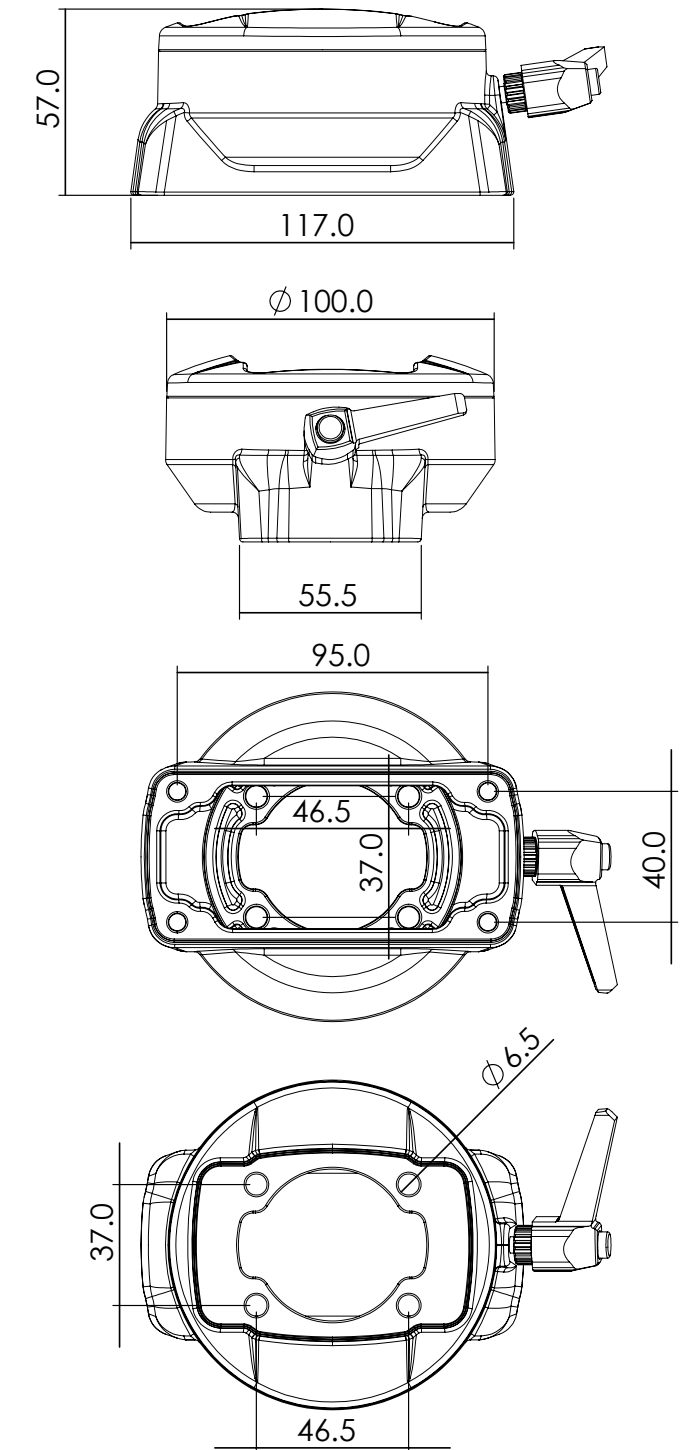
ARM080.830

Rotatable Panel Adaptor Vertical



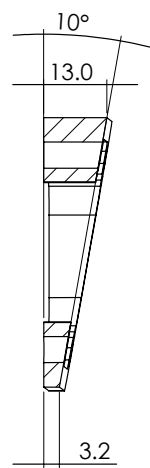
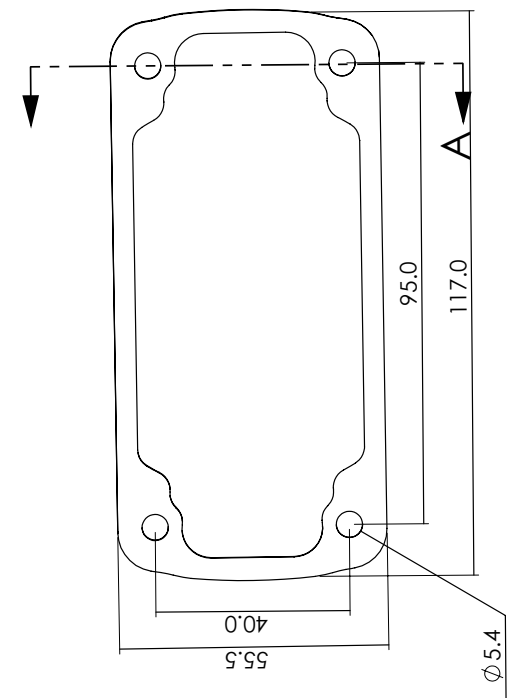
ARM080.830 Rotatable Panel Adaptor Vertical is the connector between the operator panel and the operator arm. The dimension of the adaptor surface is 118x65mm which allows a 315° smooth rotation to the left and right. This product is designed for medium loads and a suitable depth ratio.

Weight	930 gr
Color Ral No	RAL 7035
Package	1
Package Dimension	140x120x110 mm
Material	Aluminum
Movement	Rotatable 350°



10° Angle Piece

ARM080.831

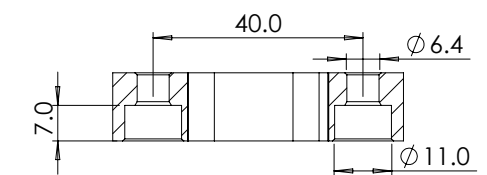
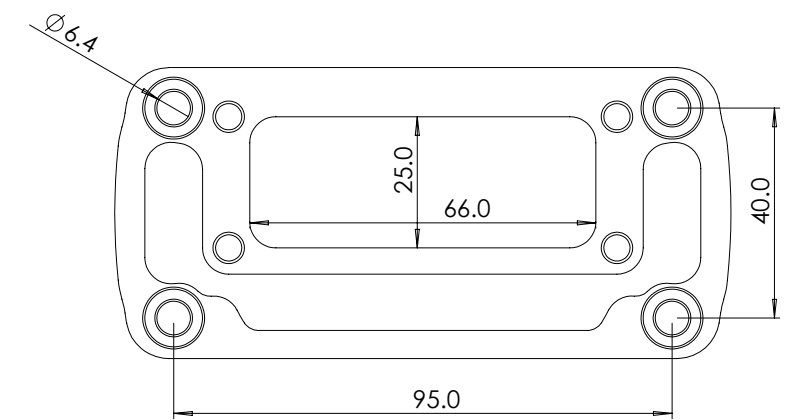
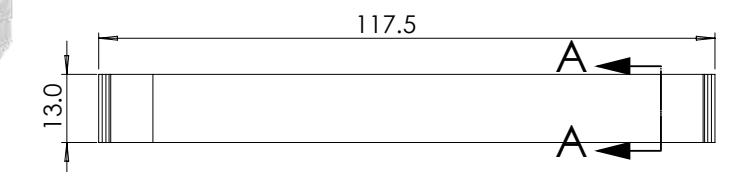


An angle of 10 degrees has been applied to ARM080.831, which is produced in full compliance with the connection points of the parts to be mounted on industrial panels. Bolt connection holes and cable passage feature have been developed to ensure the connection between the panel and the modu

Weight	190 gr
Color Ral No	RAL 7035
Package	1
Package Dimension	170x35x80 mm
Material	Aluminum
Movement	Fixed

ARM080.832

080 Panel Adaptor

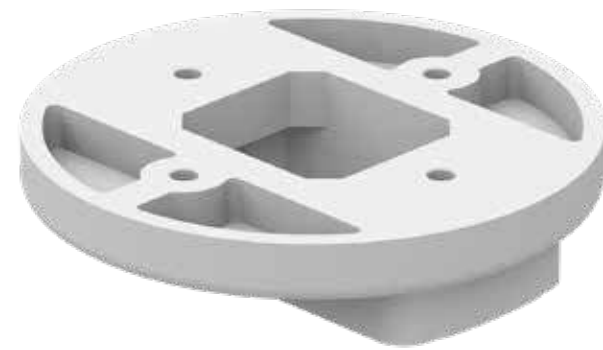
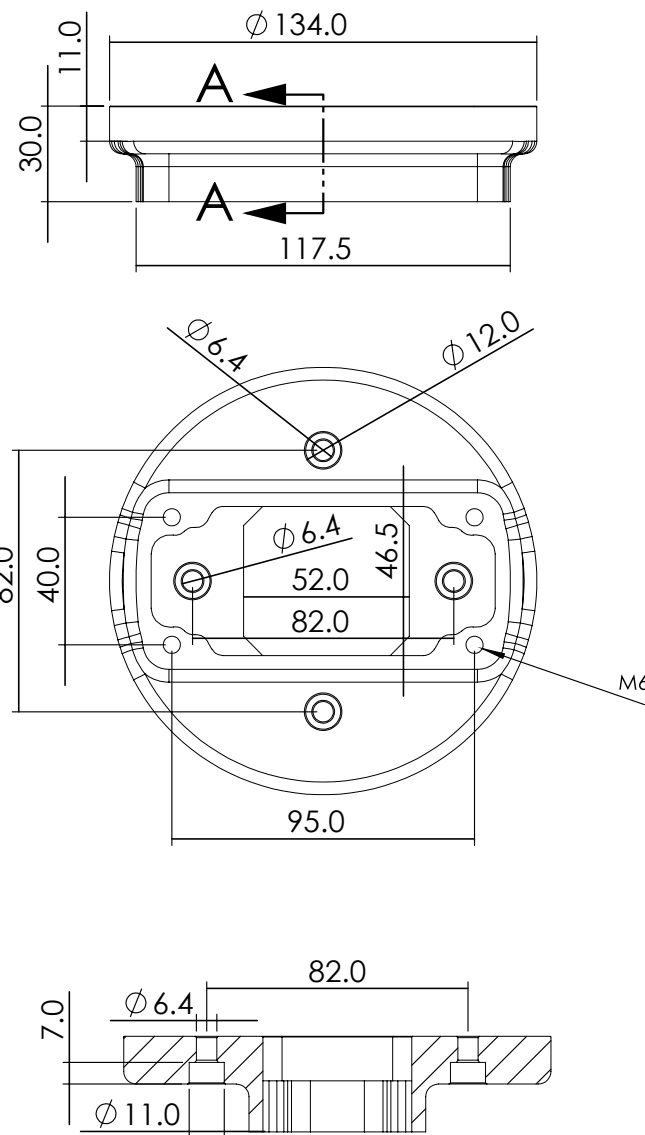


ARM080.832 adaptor serves as a connection between the modules compatible with the carrier and the supporting systems of the machines, is the essential element to optimize the functioning of the panels and mechanical equipment. It has a convenient and practical structure by the connection and the holes on the adapter.

Weight	235 gr
Color Ral No	RAL 7035
Package	1
Package Dimension	170x40x80 mm
Material	Aluminum
Movement	Fixed

Ø134 mm Panel Adaptor

ARM080.833

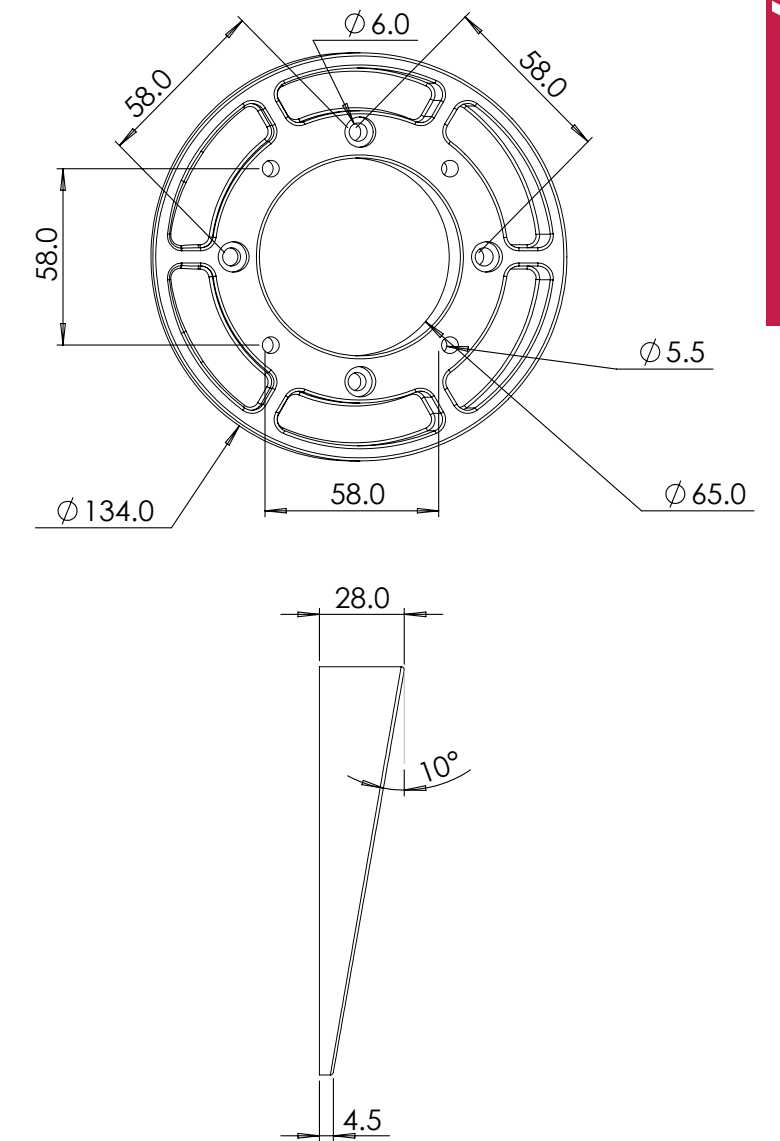


ARM080.833 Ø134mm Panel Adaptor is used for different dimensions between modules providing a practical and important element between connection modules and panel connection.

Weight	700 gr
Color Ral No	RAL 7035
Package	1
Package Dimension	135x45x130 mm
Material	Aluminum
Movement	Fixed
Diameter	Ø134 mm

ARM080.834

Ø134 mm 10° Panel Adaptor

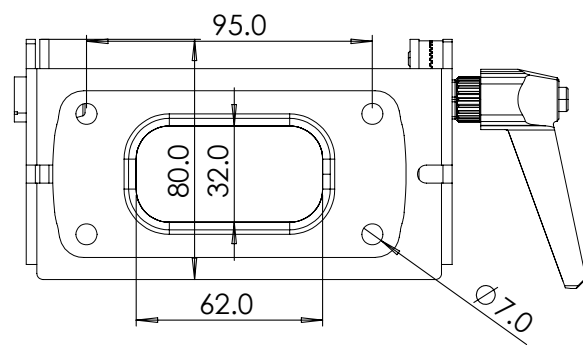
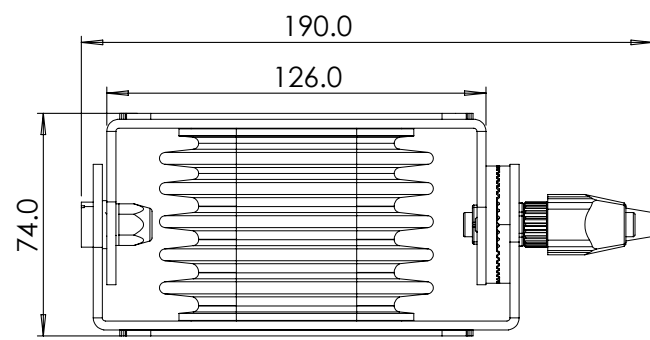


ARM080.833 Ø134mm Panel Adaptor is used for different dimensions between modules providing a practical and important element between connection modules and panel connection. This module has connection points that will facilitate its assembly to the panel to be used.

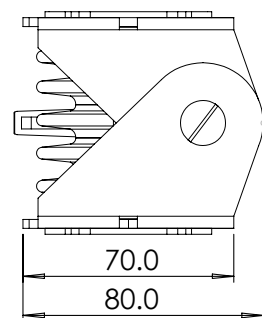
Weight	380 gr
Color Ral No	RAL 7035
Package	1
Package Dimension	135x45x130 mm
Material	Aluminum
Movement	Fixed
Diameter	Ø134 mm

Panel Tilting Adaptor

ARM080.835



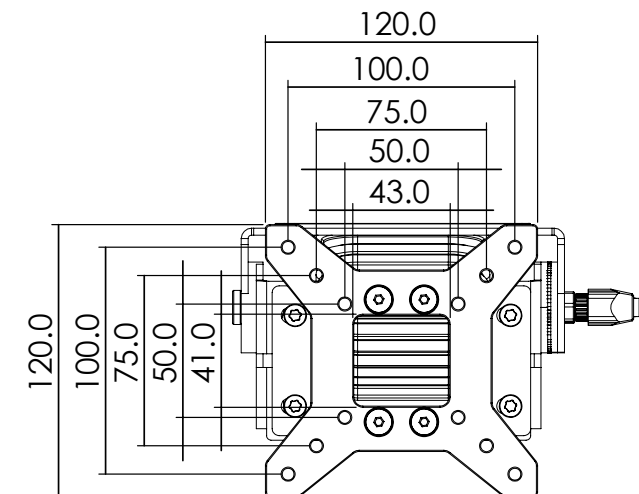
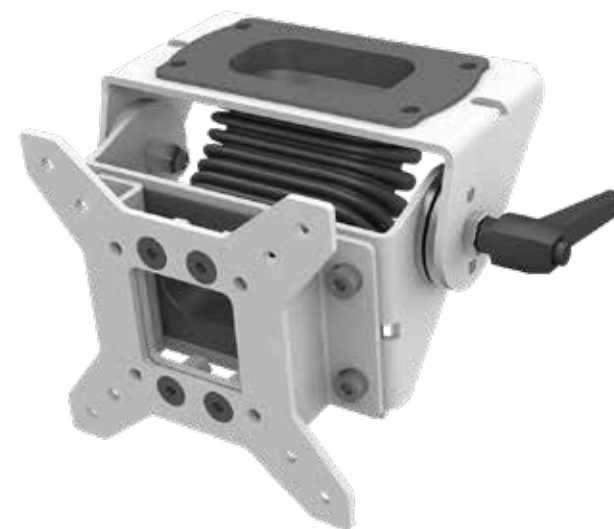
The flexible structure of ARM080.835 is among the technical support elements produced for industrial panels to provide maximum performance in a compact form. This module is provided with a bellows that can move up and down. There are bolt connection holes and cable passage holes opened on the module for a perfect assembly.



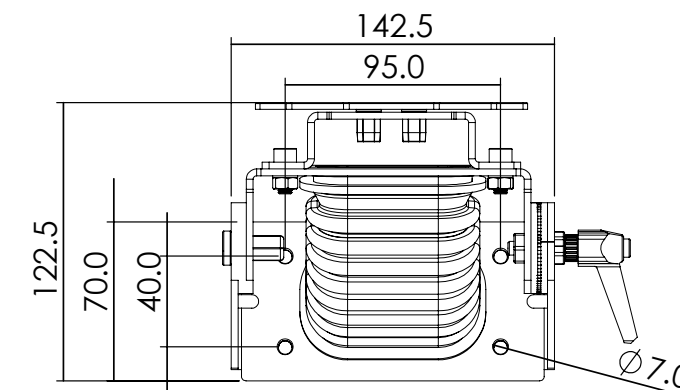
Weight	750 gr
Color Ral No	RAL 7035 (Bellow RAL 7016)
Package	1
Package Dimension	195x90x95 mm
Material	Sheet Steel
Movement	+30° / - 40°

ARM080.836

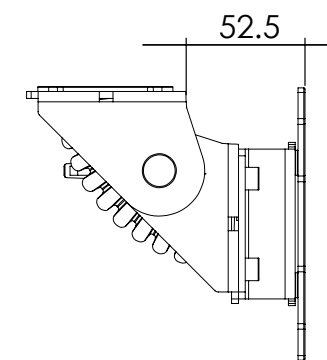
Vesa Panel Tilting Adaptor Moving



ARM080.836 Vesa connection module is one of the improved and newest version of support and connection equipment. It is produced with high standards by professional Armendus teams. The maximum mobility of the bellows, which is installed in this module connects all equipment at every angle.

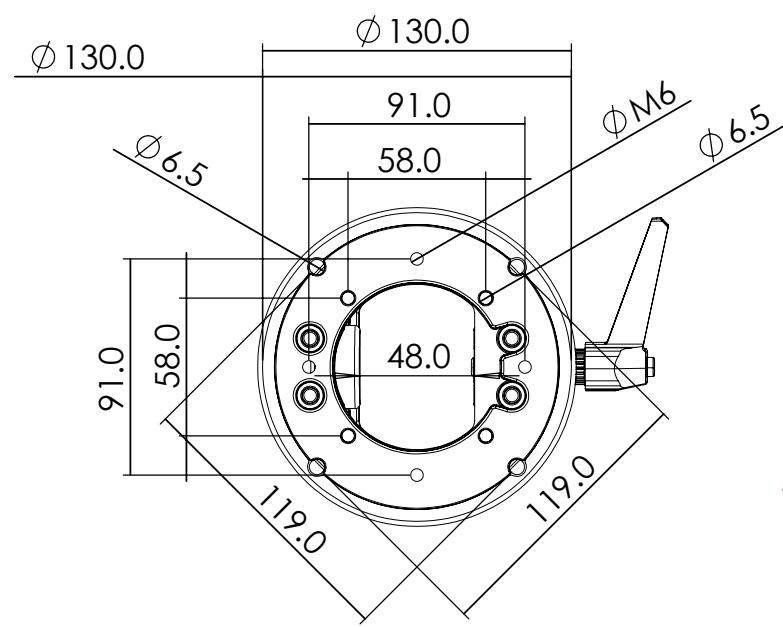
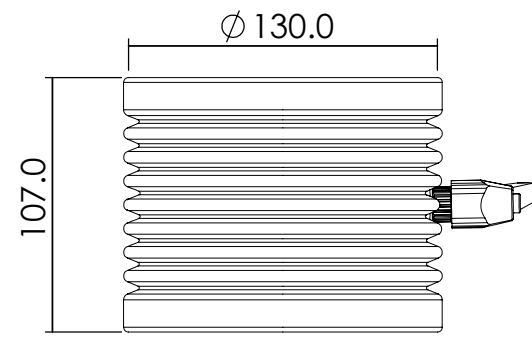


Weight	1200 gr
Color Ral No	RAL 7035 (Bellow RAL 7016)
Package	1
Package Dimension	180x110x150 mm
Material	Sheet Steel
Movement	+30° / - 40°



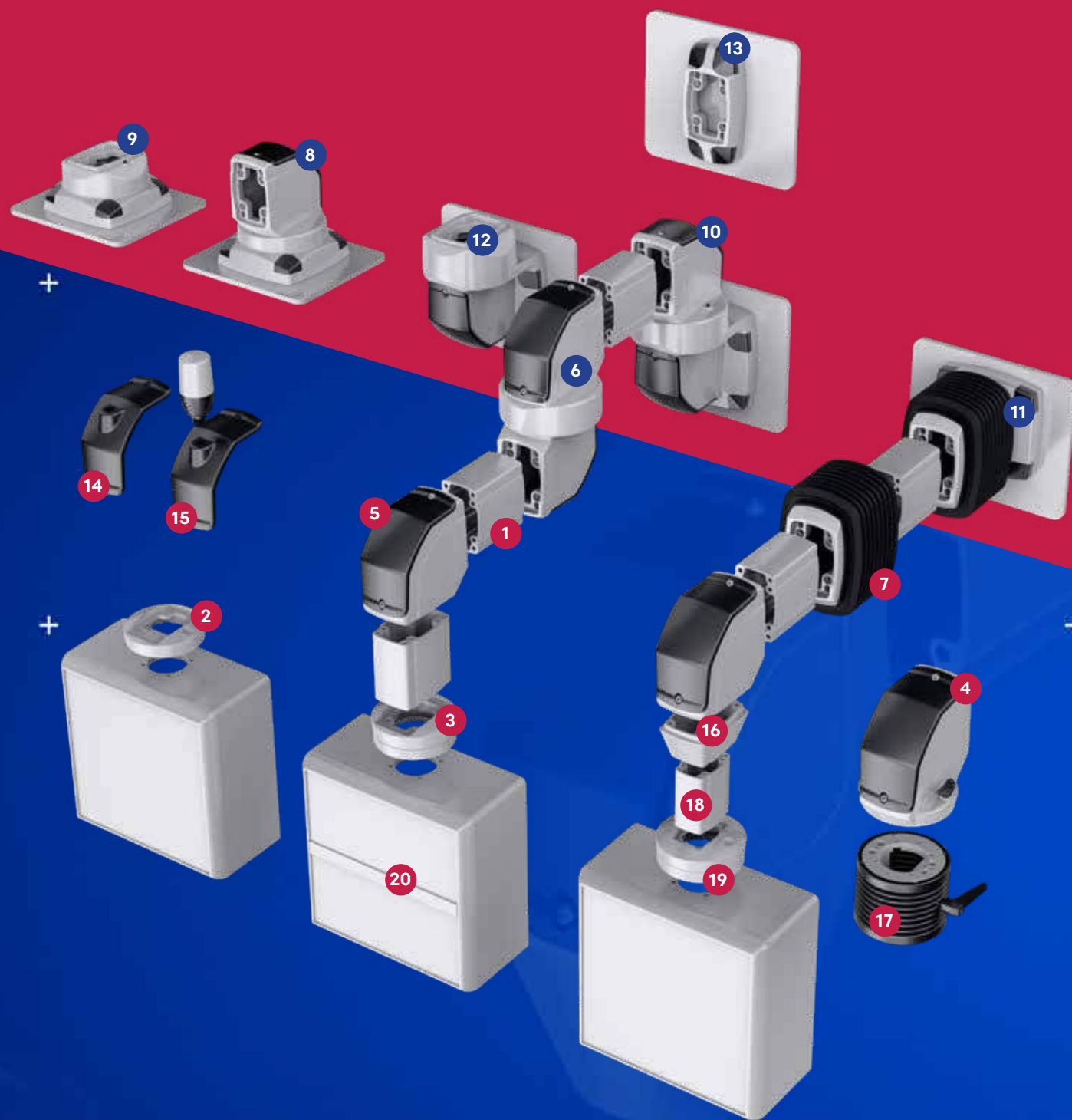
Ø130 mm Panel Tilting Adaptor - With Bellows

ARM080.840



Ø130 mm Panel Tilting Adaptor - With Bellows has been developed using high quality material, it is made of movable parts and is intended to be compatible with panels of different types and models. The module stands out with its up and down mobility and sealing feature.

Weight	1150 gr
Color Ral No	RAL 7035 (Bellow RAL 7016)
Package	1
Package Dimension	140x155x110 mm
Material	Aluminum
Movement	+30° / - 40°



- 1 **ARM130 PROFILE** Support Arm Profile
- 2 **ARM130.310** Panel Coupling
- 3 **ARM130.320** Rotatable Panel Coupling
- 4 **ARM130.400** Rotatable Panel 90° Angle Coupling
- 5 **ARM130.420** 90° Angle Piece
- 6 **ARM130.500** Rotatable Intermediate Hinge
- 7 **ARM130.505** Steel Interconnection Module - With Bellows
- 8 **ARM130.600** Rotatable Top Mounted 90° Angle Joint
- 9 **ARM130.610** Rotatable Top Mounted Vertical Outlet
- 10 **ARM130.700** Rotatable Wall-Mounted Hinge Horizontal Outlet
- 11 **ARM130.705** Steel Wall Mounted Module - With Bellows
- 12 **ARM130.710** Rotatable Wall-Mounted Hinge Vertical Outlet
- 13 **ARM130.800** Wall-Socket Mounting Bracket
- 14 **ARM130.810** Warning Lamp Cover (M22)
- 15 **ARM130.811** Warning Lamp Cover (M18)
- 16 **ARM130.820** 130/080 Support Arm Adaptor
- 17 **ARM130.840** Ø130 mm Panel Tilting Adaptor - With Bellows
- 18 **ARM080 PROFILE** Support Arm Profile
- 19 **ARM080.320** Rotatable Panel Coupling
- 20 **PRO150 PANEL** PRO150 Enclosure Panel

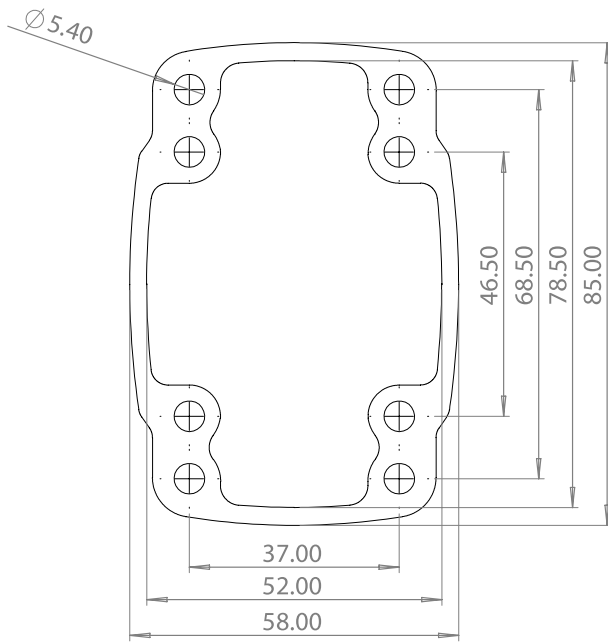
SUPPORT ARM SYSTEMS **ARM130**

Support Arm Profile

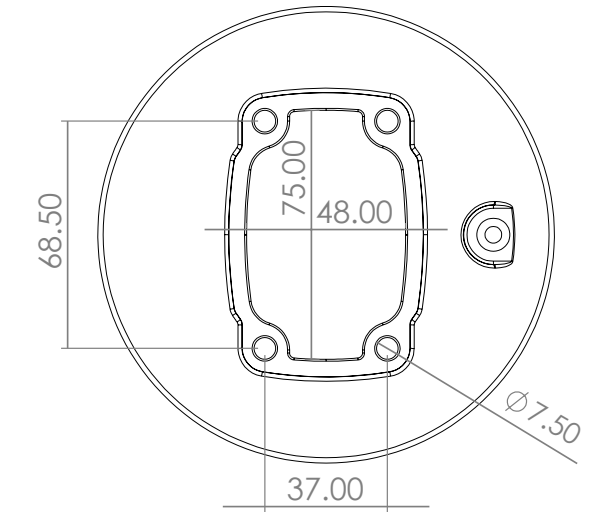
ARM130.025

ARM130.310

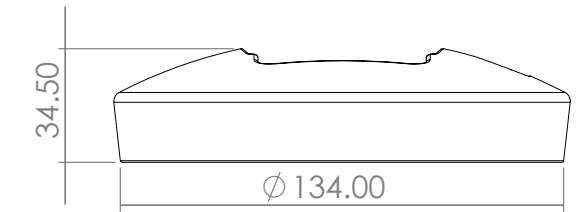
Panel Coupling



ARM.130 Operator Arm Systems determines the working and movement area of the ARM series. It is produced for big-sized control panels with heavy loads and large dimensions. This product, with its high and modern structural durability is designed with advanced technology and works with other modules at high efficiency, bringing the operator arm to the fore. This operator arm can be produced in any requested length. The load capacity of a 1m long operator arm is up to 130kg. RAL 7035 light gray paint is used for this module with sealing feature.



Ø134mm Panel Coupling provides the connection between the operator arm and the operator panel. ARM130.310 is a fixed module. The diameter is 130mm and produced for wide panels with depth.

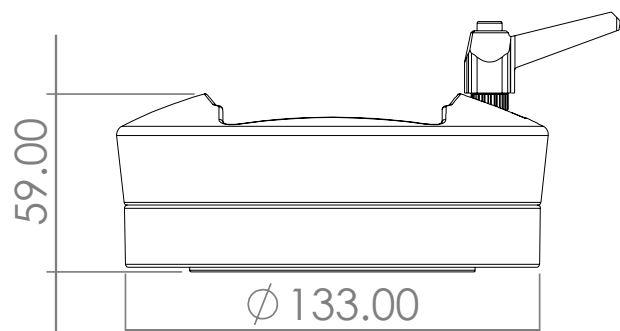
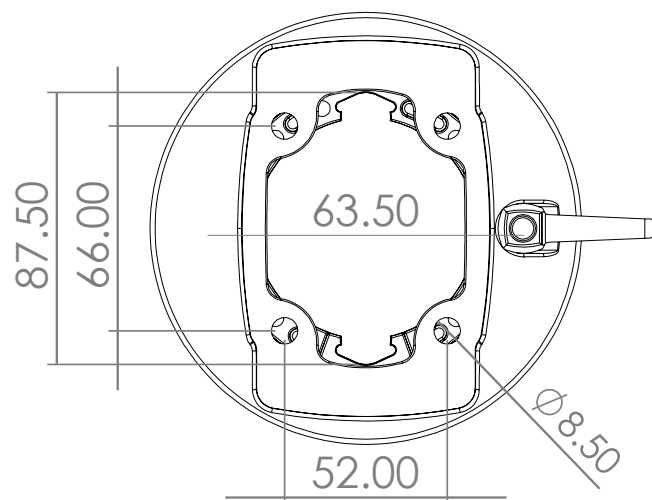


Model No	Description	Length (mm)	Weight (mm)	Ral Code	Package Dimension
ARM130.025	130 Support Profile - 250mm	250	1625	7035	80 x 130 x 260
ARM130.050	130 Support Profile - 500mm	500	3250	7035	80 x 130 x 510
ARM130.075	130 Support Profile - 750mm	750	4875	7035	80 x 130 x 760
ARM130.100	130 Support Profile - 1000mm	1000	6500	7035	80 x 130 x 1010
ARM130.125	130 Support Profile - 1250mm	1250	8125	7035	80 x 130 x 1260
ARM130.150	130 Support Profile - 1500mm	1500	9750	7035	80 x 130 x 1510
ARM130.175	130 Support Profile - 1750mm	1750	11375	7035	80 x 130 x 1760
ARM130.200	130 Support Profile - 2000mm	2000	13000	7035	80 x 130 x 2010

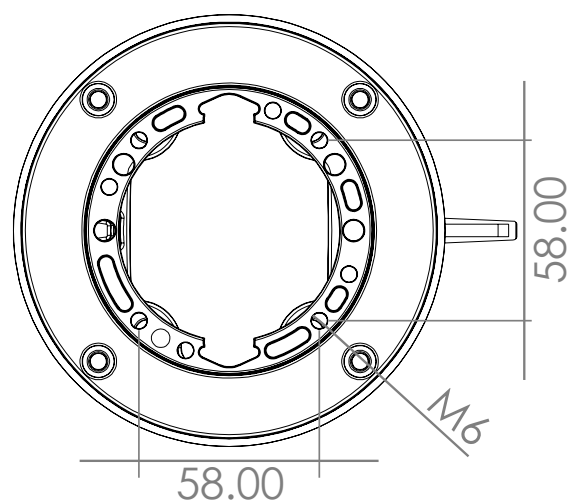
Weight	480 gr
Color Ral No	RAL 7035
Package	1
Package Dimension	135x40x135 mm
Material	Aluminum
Movement	Fixed
Diameter	Ø134 mm

Rotatable Panel Coupling

ARM130.320



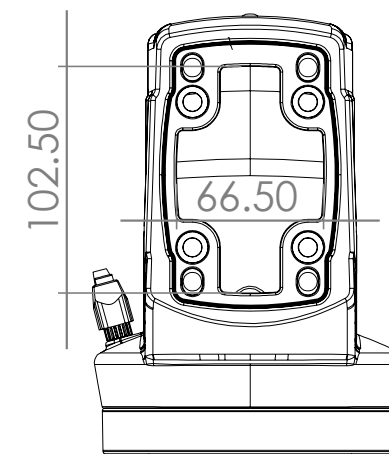
ARM130.320 Rotatable Panel Coupling provides the connection between the operator arm and the operator panel. The diameter is 133mm with a rotation capacity of 315° allowing the operator to rotate the panel to any desired position. It is produced for panel types with high depth ratio.



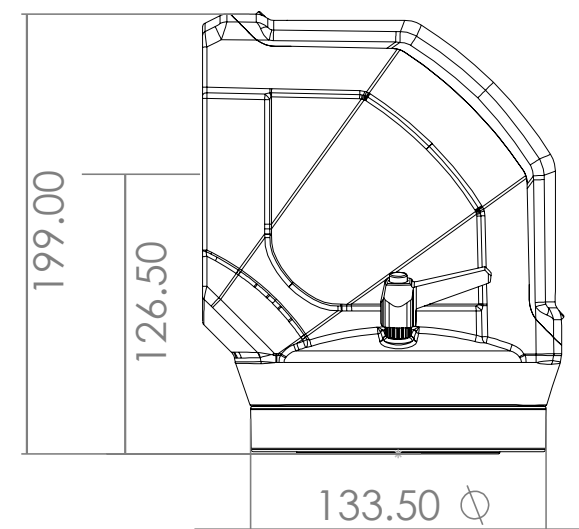
Weight	1300 gr
Color Ral No	RAL 7035
Package	1
Package Dimension	150x60x145 mm
Material	Aluminum
Movement	Rotatable 315°
Diameter	Ø133 mm

ARM130.400

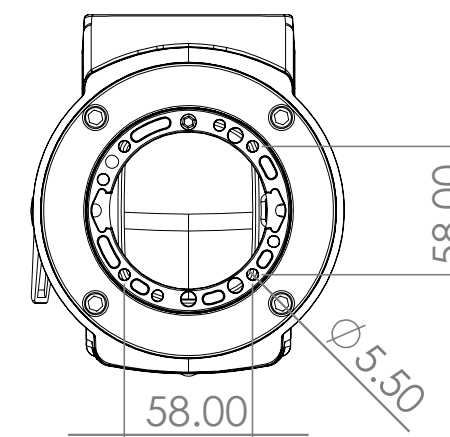
Rotatable Panel 90° Angle Coupling



ARM130.400 Rotatable Panel 90° Angle Coupling is suitable for an operator panel that requires positioning directly after a 90° angle corner turn. The rotation angle is 315° in total. The ability to rotate around itself provides flexibility for the operator using the panel in bringing it to a desired position. ARM130.400 is an ideal product that will be used for the panel types with more depth.

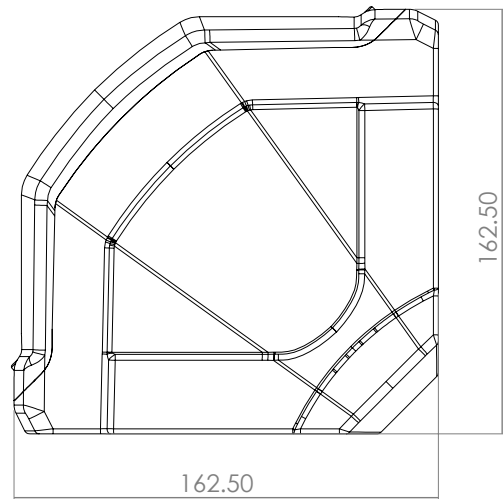
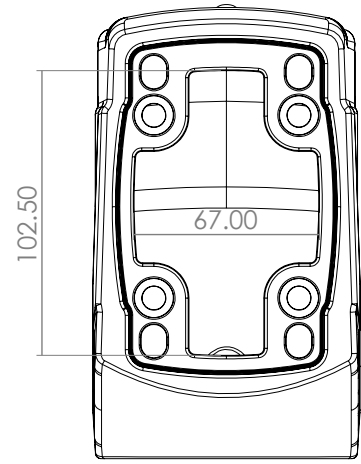


Weight	2400 gr
Color Ral No	RAL 7035 (Cover RAL 7016)
Package	1
Package Dimension	220x150x170 mm
Material	Aluminum
Movement	Rotatable 315°
Diameter	Ø133,5 mm



90° Angle Piece

ARM130.420

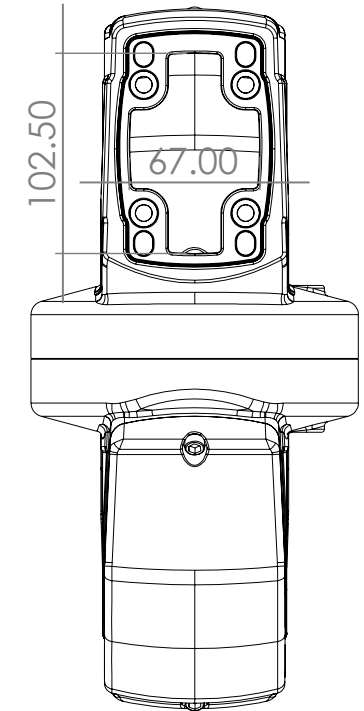


ARM130.420 90° Angle Piece is a fixed corner module that connects the operator arms in horizontal and vertical axis. Based on the structural features and usage conditions, this product can be used for heavy loads panels positioned in long distance and without any compatibility issues.

Weight	1650 gr
Color Ral No	RAL 7035 (Cover RAL 7016)
Package	1
Package Dimension	170x100x160 mm
Material	Aluminum
Movement	Fixed

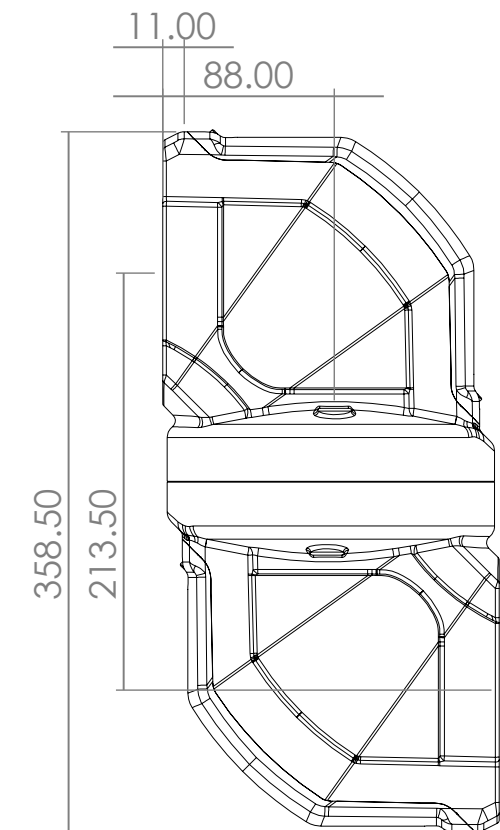
ARM130.500

Rotatable Intermediate Hinge



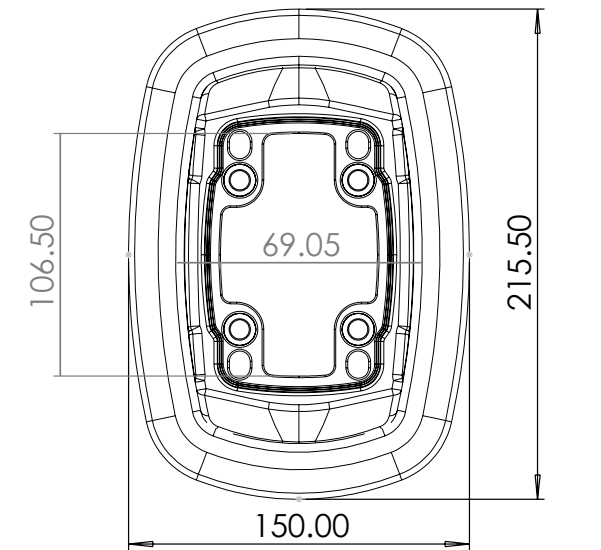
ARM130.500 Rotatable Intermediate Hinge module is used to ensure two operator arms on the horizontal axis are mounted on the assembly point and move at a semi-independent angle (315°) from each other. This product is an indispensable product for heavy loads and long length configurations in terms of structure and usage.

Weight	5700 gr
Color Ral No	RAL 7035 (Cover RAL 7016)
Package	1
Package Dimension	355x180x175 mm
Material	Aluminum
Movement	Rotatable 315°

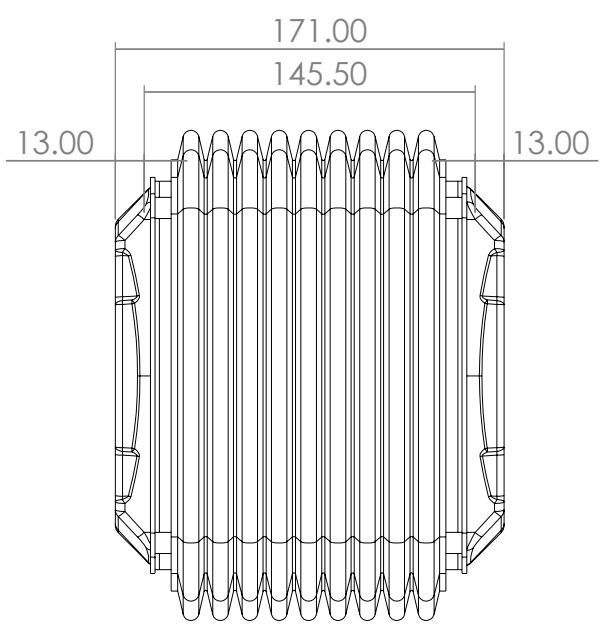


Steel Interconnection Module - With Bellows

ARM130.505



ARM130.505 Steel Interconnection Module - With Bellows is used to mount two operator arms to the connection points horizontally enabling them to move at 90° to the right or 90° to the left. The cast steel body of this product safely combines heavy and long arm configurations.



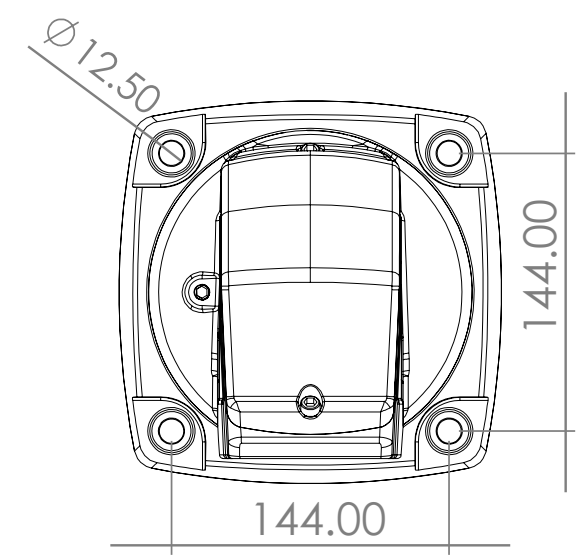
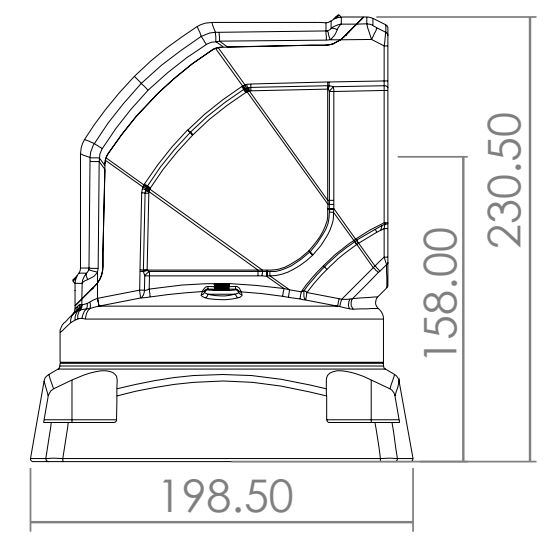
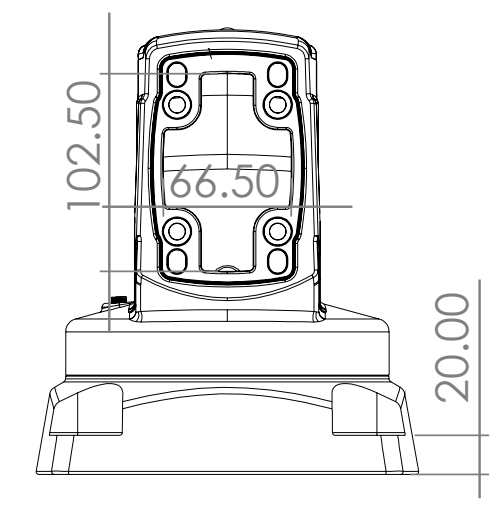
Weight	1000 gr
Color Ral No	RAL 7035 (Bellow RAL 7016)
Package	1
Package Dimension	245x180x160 mm
Material	Steel Casting
Movement	Right 90° / Left 90°

ARM130.600

Rotatable Top Mounted 90° Angle Joint



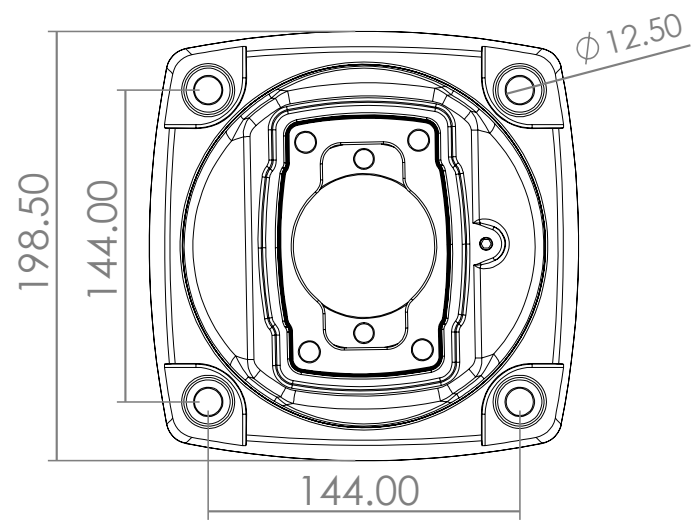
ARM130.600 Rotatable Top Mounted 90° Angle Joint is produced to provide a connection for a high position point. It allows a smooth rotation for the panel horizontally and provides a 315° movement mobility to the right or left. This product is designated for configurations with a heavy loads.



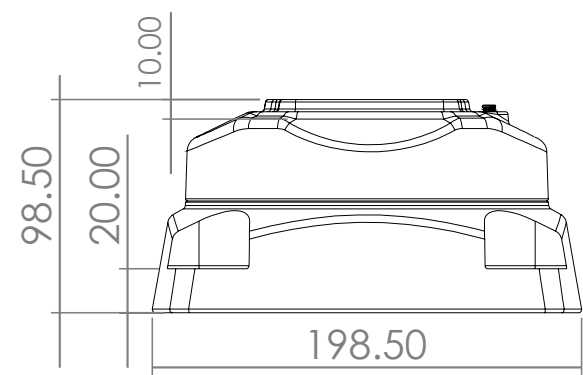
Weight	5900 gr
Color Ral No	RAL 7035 (Cover RAL 7016)
Package	1
Package Dimension	210x240x220 mm
Material	Aluminum
Movement	Rotatable 315°

Rotatable Top Mounted Vertical Outlet

ARM130.610



ARM130.610 Rotatable Top Mounted Vertical Outlet provides a 315° rotation movement to the right and left. It is designated for heavy loads configurations and can also serve as a "Fixed Kiosk"



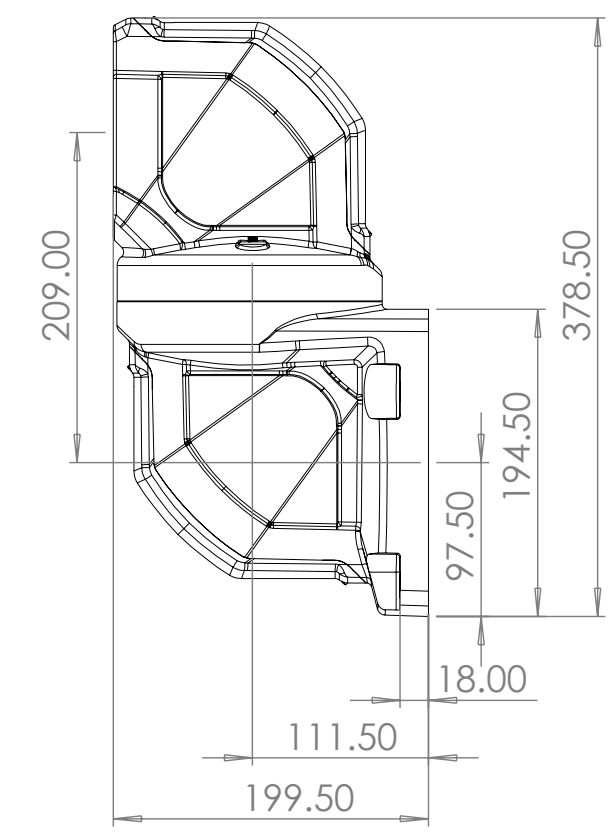
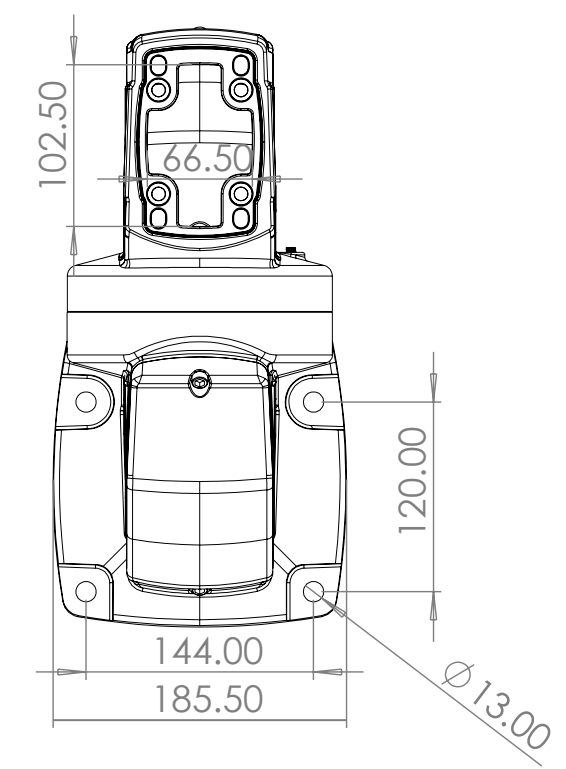
Weight	4800 gr
Color Ral No	RAL 7035 (Cover RAL 7016)
Package	1
Package Dimension	220x125x205 mm
Material	Aluminum
Movement	Rotatable 315°

ARM130.700

Rotatable Wall-Mounted Hinge Horizontal Outlet



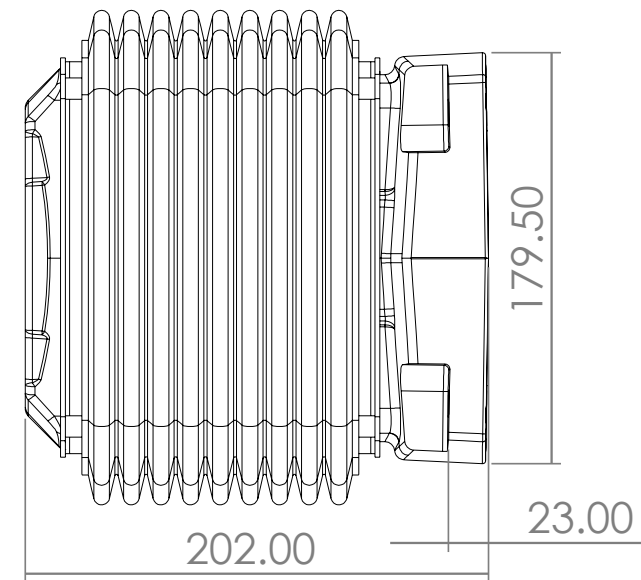
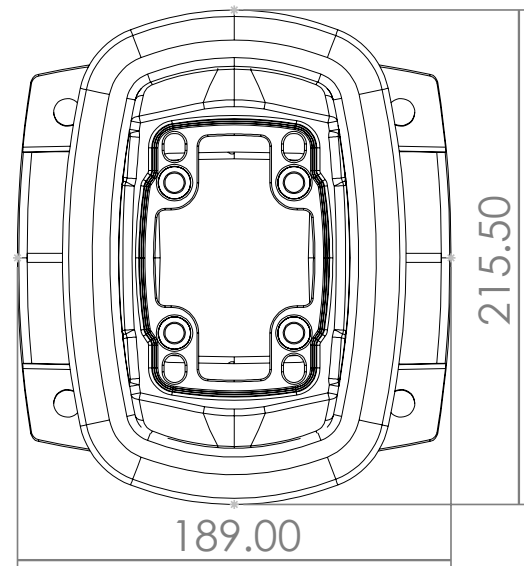
ARM130.700 Rotatable Wall-Mounted Hinge Horizontal Outlet is designed to create a connection point to any preferred point where it is unavailable on the ground. It allows the operator arm to move at a 315° left and right horizontally for heavy loads configurations.



Weight	6500 gr
Color Ral No	RAL 7035 (Cover RAL 7016)
Package	1
Package Dimension	390x200x210 mm
Material	Aluminum
Movement	Rotatable 315°

Steel Wall Mounted Module - With Bellows

ARM130.705

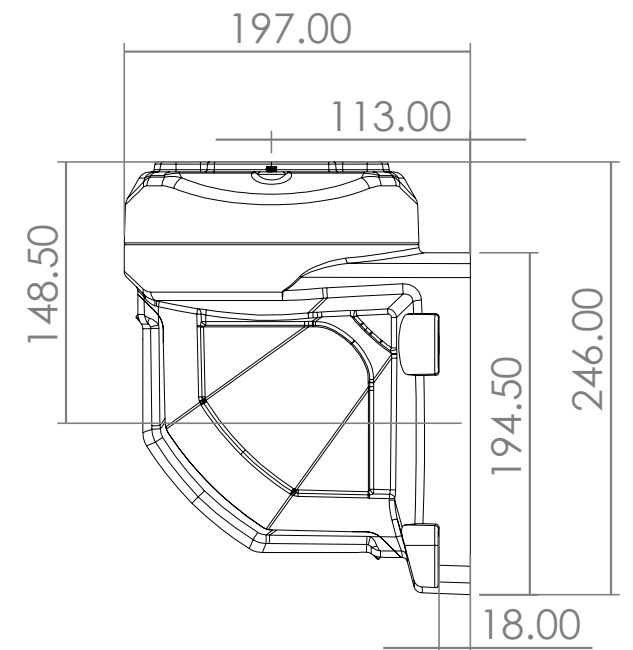


The Steel Wall-Mounted Module - With Bellows helps fixing the operator arms horizontally which are positioned on vertical surfaces. This product with its cast steel body gives reliability for heavy loads and long-distance arm configurations. It allows a mobility of 90° to the right and left.

Weight	1000 gr
Color Ral No	RAL 7035 (Bellow RAL 7016)
Package	1
Package Dimension	250x220x290 mm
Material	Aluminum
Movement	Right 90° / Left 90°

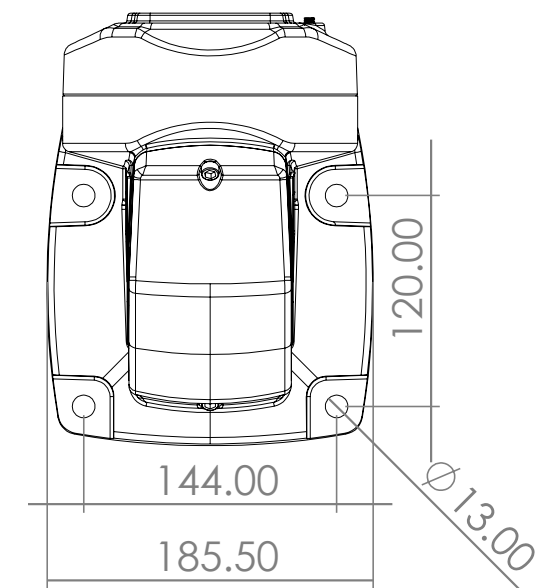
ARM130.710

Rotatable Wall-Mounted Hinge Vertical Outlet



ARM130.710 Rotatable Wall-Mounted Hinge Vertical Outlet is designed to create a connection point to any preferred point vertically. It allows the operator arm to move at a 315° left and right fo heavy loads configurations.

Weight	5750 gr
Color Ral No	RAL 7035 (Cover RAL 7016)
Package	1
Package Dimension	280x200x210 mm
Material	Aluminum
Movement	Rotatable 315°

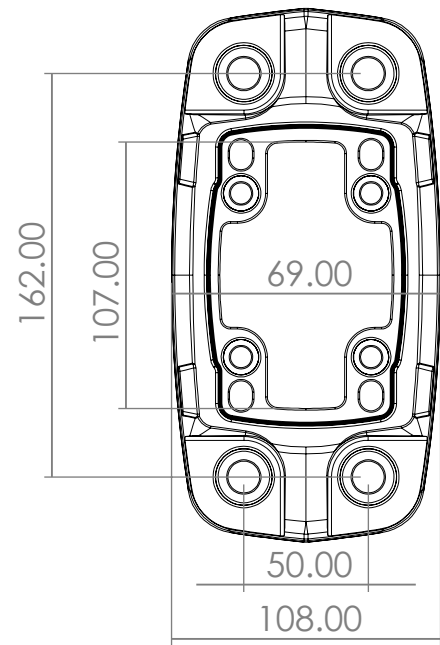


Wall-Socket Mounting Bracket

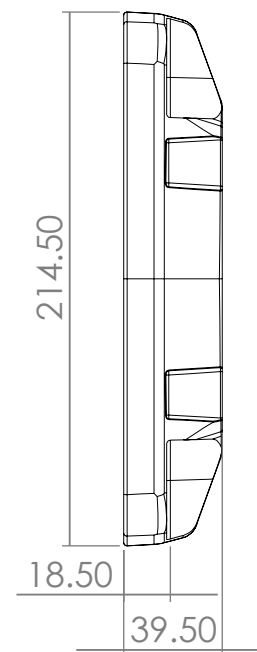
ARM130.800

ARM130.810

Warning Lamp Cover (M22)



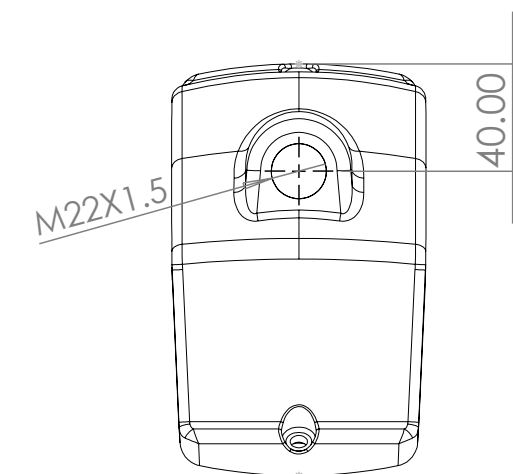
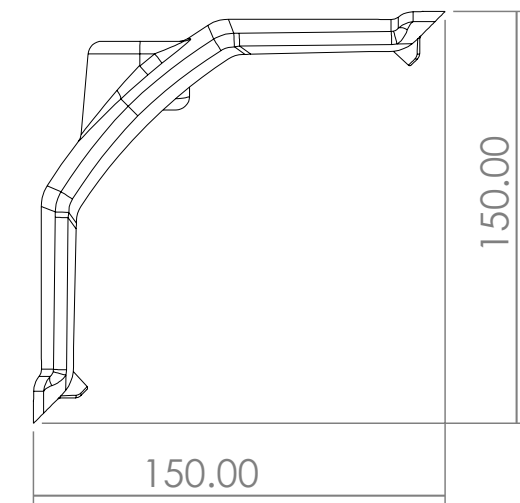
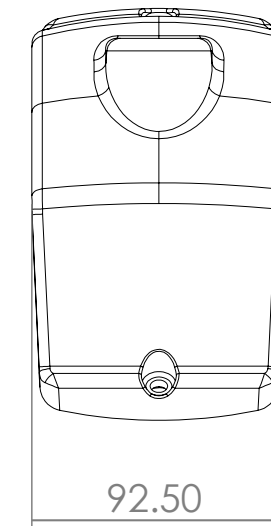
ARM130.800 Wall-Socket Mounting Bracket is a fixed connection that can be easily connected to vertical and horizontal surfaces. It is produced for heavy loads configurations.



Weight	1000 gr
Color Ral No	RAL 7035 (Cover RAL 7016)
Package	1
Package Dimension	220x50x110 mm
Material	Aluminum
Movement	Fixed



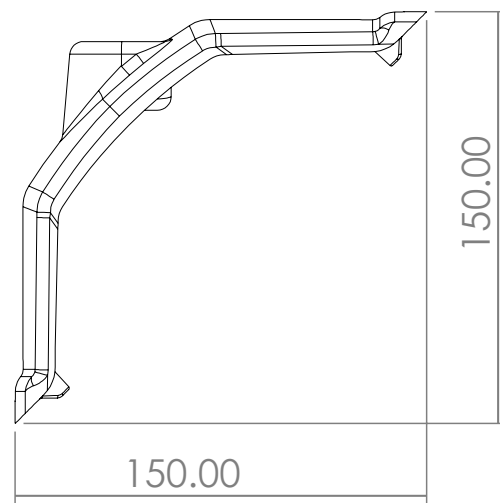
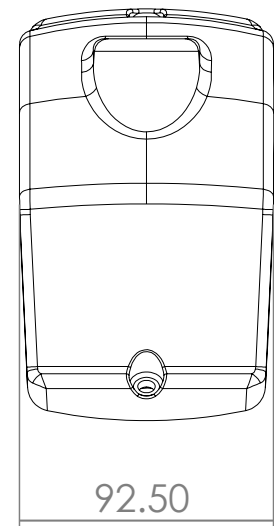
ARM130.810 Warning Lamp Cover (M22) is placed on the corner module ensuring an area for the warning lamp to be placed. The warning lamp connection diameter is M22x1.5



Weight	290 gr
Color Ral No	RAL 7016
Package	1
Package Dimension	200x55x100 mm
Material	Aluminum
Movement	Fixed M22

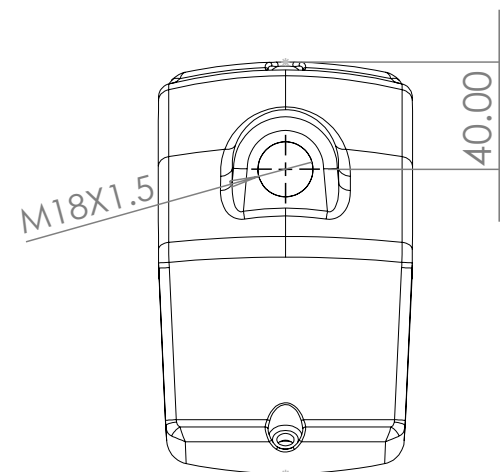
Warning Lamp Cover (M18)

ARM130.811



ARM130.811 Warning Lamp Cover (M18) is placed on the corner module ensuring an area for the warning lamp to be placed. The warning lamp connection diameter is M18x1.5

Weight	290 gr
Color Ral No	RAL 7016
Package	1
Package Dimension	200x55x100 mm
Material	Aluminum
Movement	Fixed M18



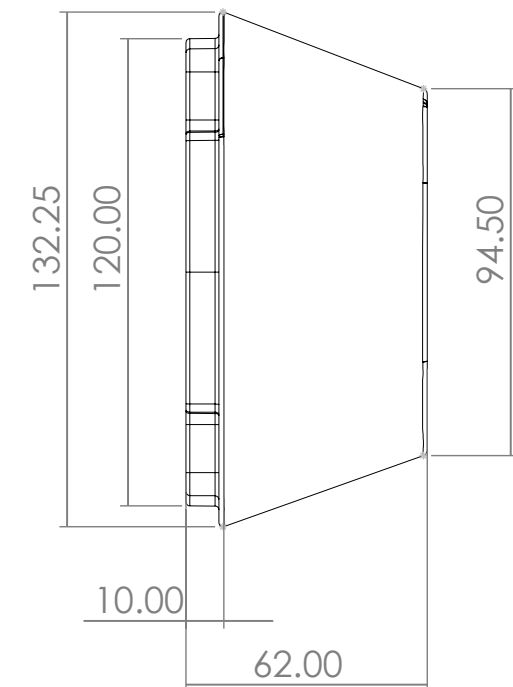
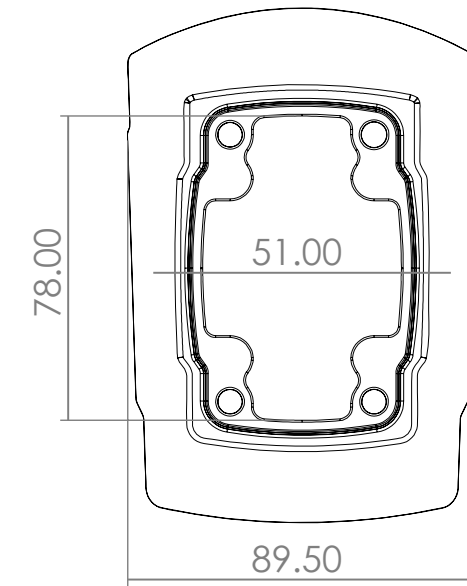
ARM130.820

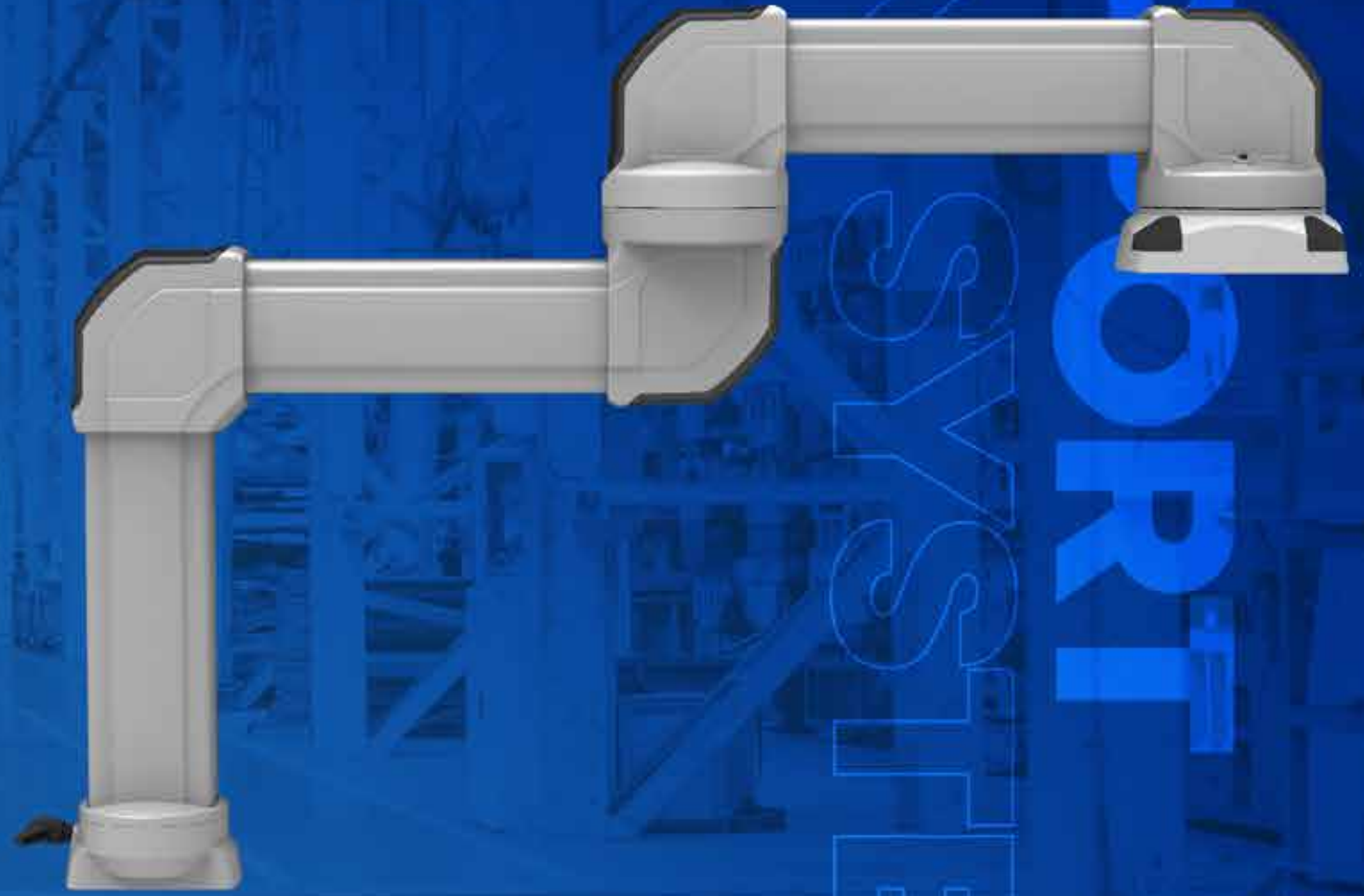
130/080 Support Arm Adaptor



130/080 Support Arm Adaptor is used to secure the connection between ARM130 and ARM080 Its is designed for configurations of heavy loads. The configurations with this product prevent vibrating and sagging as a result of heavy loads. This support Arm Adaptor can be used horizontally or vertically.

Weight	500 gr
Color Ral No	RAL 7035
Package	1
Package Dimension	140x70x90 mm
Material	Aluminum
Movement	Fixed





ARM SUPPORT SYSTEMS

PANEL ENCLOSURES



PRO 6000 Series

Article No	Installation Area			Back Area		Installation Depth			118x65,5 mm
	Width (mm)	Height (mm)	Depth (mm)	Hinge	Locking Mechanism	H Profile Installation Platform	Installation Depth (mm)		
6000-2525	250	250	60	Yes	Yes	-	60	Yes	
6000-2530	250	300	60	Yes	Yes	-	60	Yes	
6000-3030	300	300	60	Yes	Yes	-	60	Yes	
6000-3040	300	400	60	Yes	Yes	-	60	Yes	
6000-4040	400	400	60	Yes	Yes	-	60	Yes	
6000-4050	400	500	60	Yes	Yes	-	60	Yes	
6000-5050	500	500	60	Yes	Yes	-	60	Yes	
6000-5060	500	600	60	Yes	Yes	-	60	Yes	
6000-6060	600	600	60	Yes	Yes	-	60	Yes	



*Please contact with us for non-standart panel sizes

PRO 6002 Series

Article No	Installation Area			Back Area		Installation Depth			118x65,5 mm
	Width (mm)	Height (mm)	Depth (mm)	Hinge	Locking Mechanism	H Profile Installation Platform	Installation Depth (mm)		
6002-2525	250	250	60	Yes	Yes	-	60	Yes	
6002-2530	250	300	60	Yes	Yes	-	60	Yes	
6002-3030	300	300	60	Yes	Yes	-	60	Yes	
6002-3040	300	400	60	Yes	Yes	-	60	Yes	
6002-4040	400	400	60	Yes	Yes	-	60	Yes	
6002-4050	400	500	60	Yes	Yes	-	60	Yes	
6002-5050	500	500	60	Yes	Yes	-	60	Yes	
6002-5060	500	600	60	Yes	Yes	-	60	Yes	
6002-6060	600	600	60	Yes	Yes	-	60	Yes	

*Please contact with us for non-standart panel sizes

PRO 6001 Series

Article No	Installation Area			Back Area		Installation Depth			118x65,5 mm
	Width (mm)	Height (mm)	Depth (mm)	Hinge	Locking Mechanism	H Profile Installation Platform	Installation Depth (mm)		
6001-2525	250	250	60	Yes	Yes	-	60	Yes	
6001-2530	250	300	60	Yes	Yes	-	60	Yes	
6001-3030	300	300	60	Yes	Yes	-	60	Yes	
6001-3040	300	400	60	Yes	Yes	-	60	Yes	
6001-4040	400	400	60	Yes	Yes	-	60	Yes	
6001-4050	400	500	60	Yes	Yes	-	60	Yes	
6001-5050	500	500	60	Yes	Yes	-	60	Yes	
6001-5060	500	600	60	Yes	Yes	-	60	Yes	
6001-6060	600	600	60	Yes	Yes	-	60	Yes	



*Please contact with us for non-standart panel sizes

PRO 6001 K Series

Article No	Installation Area			Back Area		Installation Depth			118x65,5 mm
	Width (mm)	Height (mm)	Depth (mm)	Hinge	Locking Mechanism	H Profile Installation Platform	Installation Depth (mm)		
6001-2525 K	250	250	60	Yes	Yes	-	60	Yes	
6001-2530 K	250	300	60	Yes	Yes	-	60	Yes	
6001-3030 K	300	300	60	Yes	Yes	-	60	Yes	
6001-3040 K	300	400	60	Yes	Yes	-	60	Yes	
6001-4040 K	400	400	60	Yes	Yes	-	60	Yes	
6001-4050 K	400	500	60	Yes	Yes	-	60	Yes	
6001-5050 K	500	500	60	Yes	Yes	-	60	Yes	
6001-5060 K	500	600	60	Yes	Yes	-	60	Yes	
6001-6060 K	600	600	60	Yes	Yes	-	60	Yes	

*Please contact with us for non-standart panel sizes

PRO 6090 Series

Article No	Installation Area			Back Area		Installation Depth			118x65,5 mm
	Width (mm)	Height (mm)	Depth (mm)	Hinge	Locking Mechanism	H Profile Installation Platform	Installation Depth (mm)		
6090-2525	250	250	150	Yes	Yes	Yes	150	Yes	
6090-2530	250	300	150	Yes	Yes	Yes	150	Yes	
6090-3030	300	300	150	Yes	Yes	Yes	150	Yes	
6090-3040	300	400	150	Yes	Yes	Yes	150	Yes	
6090-4040	400	400	150	Yes	Yes	Yes	150	Yes	
6090-4050	400	500	150	Yes	Yes	Yes	150	Yes	
6090-5050	500	500	150	Yes	Yes	Yes	150	Yes	
6090-5060	500	600	150	Yes	Yes	Yes	150	Yes	
6090-6060	600	600	150	Yes	Yes	Yes	150	Yes	



*Please contact with us for non-standart panel sizes

PRO 6092 Series

Article No	Installation Area			Back Area		Installation Depth			118x65,5 mm
	Width (mm)	Height (mm)	Depth (mm)	Hinge	Locking Mechanism	H Profile Installation Platform	Installation Depth (mm)		
6092-2525	250	250	150	Yes	Yes	Yes	150	Yes	
6092-2530	250	300	150	Yes	Yes	Yes	150	Yes	
6092-3030	300	300	150	Yes	Yes	Yes	150	Yes	
6092-3040	300	400	150	Yes	Yes	Yes	150	Yes	
6092-4040	400	400	150	Yes	Yes	Yes	150	Yes	
6092-4050	400	500	150	Yes	Yes	Yes	150	Yes	
6092-5050	500	500	150	Yes	Yes	Yes	150	Yes	
6092-5060	500	600	150	Yes	Yes	Yes	150	Yes	
6092-6060	600	600	150	Yes	Yes	Yes	150	Yes	

*Please contact with us for non-standart panel sizes

PRO 6091 Series

Article No	Installation Area			Back Area		Installation Depth			118x65,5 mm
	Width (mm)	Height (mm)	Depth (mm)	Hinge	Locking Mechanism	H Profile Installation Platform	Installation Depth (mm)		
6091-2525	250	250	150	Yes	Yes	Yes	150	Yes	
6091-2530	250	300	150	Yes	Yes	Yes	150	Yes	
6091-3030	300	300	150	Yes	Yes	Yes	150	Yes	
6091-3040	300	400	150	Yes	Yes	Yes	150	Yes	
6091-4040	400	400	150	Yes	Yes	Yes	150	Yes	
6091-4050	400	500	150	Yes	Yes	Yes	150	Yes	
6091-5050	500	500	150	Yes	Yes	Yes	150	Yes	
6091-5060	500	600	150	Yes	Yes	Yes	150	Yes	
6091-6060	600	600	150	Yes	Yes	Yes	150	Yes	



*Please contact with us for non-standart panel sizes

PRO 6091 K Series

Article No	Installation Area			Back Area		Installation Depth			118x65,5 mm
	Width (mm)	Height (mm)	Depth (mm)	Hinge	Locking Mechanism	H Profile Installation Platform	Installation Depth (mm)		
6091-2525 K	250	250	150	Yes	Yes	Yes	150	Yes	
6091-2530 K	250	300	150	Yes	Yes	Yes	150	Yes	
6091-3030 K	300	300	150	Yes	Yes	Yes	150	Yes	
6091-3040 K	300	400	150	Yes	Yes	Yes	150	Yes	
6091-4040 K	400	400	150	Yes	Yes	Yes	150	Yes	
6091-4050 K	400	500	150	Yes	Yes	Yes	150	Yes	
6091-5050 K	500	500	150	Yes	Yes	Yes	150	Yes	
6091-5060 K	500	600	150	Yes	Yes	Yes	150	Yes	
6091-6060 K	600	600	150	Yes	Yes	Yes	150	Yes	

*Please contact with us for non-standart panel sizes

PRO 9000 Series

Article No	Installation Area			Back Area		Installation Depth			118x65,5 mm
	Width (mm)	Height (mm)	Depth (mm)	Hinge	Locking Mechanism	H Profile Installation Platform	Installation Depth (mm)		
9000-2525	250	250	90	Yes	Yes	-	90	Yes	
9000-2530	250	300	90	Yes	Yes	-	90	Yes	
9000-3030	300	300	90	Yes	Yes	-	90	Yes	
9000-3040	300	400	90	Yes	Yes	-	90	Yes	
9000-4040	400	400	90	Yes	Yes	-	90	Yes	
9000-4050	400	500	90	Yes	Yes	-	90	Yes	
9000-5050	500	500	90	Yes	Yes	-	90	Yes	
9000-5060	500	600	90	Yes	Yes	-	90	Yes	
9000-6060	600	600	90	Yes	Yes	-	90	Yes	



*Please contact with us for non-standart panel sizes

PRO 9002 Series

Article No	Installation Area			Back Area		Installation Depth			118x65,5 mm
	Width (mm)	Height (mm)	Depth (mm)	Hinge	Locking Mechanism	H Profile Installation Platform	Installation Depth (mm)		
9002-2525	250	250	90	Yes	Yes	-	90	Yes	
9002-2530	250	300	90	Yes	Yes	-	90	Yes	
9002-3030	300	300	90	Yes	Yes	-	90	Yes	
9002-3040	300	400	90	Yes	Yes	-	90	Yes	
9002-4040	400	400	90	Yes	Yes	-	90	Yes	
9002-4050	400	500	90	Yes	Yes	-	90	Yes	
9002-5050	500	500	90	Yes	Yes	-	90	Yes	
9002-5060	500	600	90	Yes	Yes	-	90	Yes	
9002-6060	600	600	90	Yes	Yes	-	90	Yes	

*Please contact with us for non-standart panel sizes

PRO 9001 Series

Article No	Installation Area			Back Area		Installation Depth			118x65,5 mm
	Width (mm)	Height (mm)	Depth (mm)	Hinge	Locking Mechanism	H Profile Installation Platform	Installation Depth (mm)		
9001-2525	250	250	90	Yes	Yes	-	90	Yes	
9001-2530	250	300	90	Yes	Yes	-	90	Yes	
9001-3030	300	300	90	Yes	Yes	-	90	Yes	
9001-3040	300	400	90	Yes	Yes	-	90	Yes	
9001-4040	400	400	90	Yes	Yes	-	90	Yes	
9001-4050	400	500	90	Yes	Yes	-	90	Yes	
9001-5050	500	500	90	Yes	Yes	-	90	Yes	
9001-5060	500	600	90	Yes	Yes	-	90	Yes	
9001-6060	600	600	90	Yes	Yes	-	90	Yes	



*Please contact with us for non-standart panel sizes

PRO 9001 K Series

Article No	Installation Area			Back Area		Installation Depth			118x65,5 mm
	Width (mm)	Height (mm)	Depth (mm)	Hinge	Locking Mechanism	H Profile Installation Platform	Installation Depth (mm)		
9001-2525 K	250	250	90	Yes	Yes	-	90	Yes	
9001-2530 K	250	300	90	Yes	Yes	-	90	Yes	
9001-3030 K	300	300	90	Yes	Yes	-	90	Yes	
9001-3040 K	300	400	90	Yes	Yes	-	90	Yes	
9001-4040 K	400	400	90	Yes	Yes	-	90	Yes	
9001-4050 K	400	500	90	Yes	Yes	-	90	Yes	
9001-5050 K	500	500	90	Yes	Yes	-	90	Yes	
9001-5060 K	500	600	90	Yes	Yes	-	90	Yes	
9001-6060 K	600	600	90	Yes	Yes	-	90	Yes	

*Please contact with us for non-standart panel sizes

PRO 9090 Series

Article No	Installation Area			Back Area		Installation Depth			118x65,5 mm
	Width (mm)	Height (mm)	Depth (mm)	Hinge	Locking Mechanism	H Profile Installation Platform	Installation Depth (mm)		
9090-2525	250	250	180	Yes	Yes	Yes	180	Yes	
9090-2530	250	300	180	Yes	Yes	Yes	180	Yes	
9090-3030	300	300	180	Yes	Yes	Yes	180	Yes	
9090-3040	300	400	180	Yes	Yes	Yes	180	Yes	
9090-4040	400	400	180	Yes	Yes	Yes	180	Yes	
9090-4050	400	500	180	Yes	Yes	Yes	180	Yes	
9090-5050	500	500	180	Yes	Yes	Yes	180	Yes	
9090-5060	500	600	180	Yes	Yes	Yes	180	Yes	
9090-6060	600	600	180	Yes	Yes	Yes	180	Yes	



*Please contact with us for non-standart panel sizes

PRO 9092 Series

Article No	Installation Area			Back Area		Installation Depth			118x65,5 mm
	Width (mm)	Height (mm)	Depth (mm)	Hinge	Locking Mechanism	H Profile Installation Platform	Installation Depth (mm)		
9092-2525	250	250	180	Yes	Yes	Yes	180	Yes	
9092-2530	250	300	180	Yes	Yes	Yes	180	Yes	
9092-3030	300	300	180	Yes	Yes	Yes	180	Yes	
9092-3040	300	400	180	Yes	Yes	Yes	180	Yes	
9092-4040	400	400	180	Yes	Yes	Yes	180	Yes	
9092-4050	400	500	180	Yes	Yes	Yes	180	Yes	
9092-5050	500	500	180	Yes	Yes	Yes	180	Yes	
9092-5060	500	600	180	Yes	Yes	Yes	180	Yes	
9092-6060	600	600	180	Yes	Yes	Yes	180	Yes	

*Please contact with us for non-standart panel sizes

PRO 9091 Series

Article No	Installation Area			Back Area		Installation Depth			118x65,5 mm
	Width (mm)	Height (mm)	Depth (mm)	Hinge	Locking Mechanism	H Profile Installation Platform	Installation Depth (mm)		
9091-2525	250	250	180	Yes	Yes	Yes	180	Yes	
9091-2530	250	300	180	Yes	Yes	Yes	180	Yes	
9091-3030	300	300	180	Yes	Yes	Yes	180	Yes	
9091-3040	300	400	180	Yes	Yes	Yes	180	Yes	
9091-4040	400	400	180	Yes	Yes	Yes	180	Yes	
9091-4050	400	500	180	Yes	Yes	Yes	180	Yes	
9091-5050	500	500	180	Yes	Yes	Yes	180	Yes	
9091-5060	500	600	180	Yes	Yes	Yes	180	Yes	
9091-6060	600	600	180	Yes	Yes	Yes	180	Yes	



*Please contact with us for non-standart panel sizes

PRO 9091 K Series

Article No	Installation Area			Back Area		Installation Depth			118x65,5 mm
	Width (mm)	Height (mm)	Depth (mm)	Hinge	Locking Mechanism	H Profile Installation Platform	Installation Depth (mm)		
9091-2525 K	250	250	180	Yes	Yes	Yes	180	Yes	
9091-2530 K	250	300	180	Yes	Yes	Yes	180	Yes	
9091-3030 K	300	300	180	Yes	Yes	Yes	180	Yes	
9091-3040 K	300	400	180	Yes	Yes	Yes	180	Yes	
9091-4040 K	400	400	180	Yes	Yes	Yes	180	Yes	
9091-4050 K	400	500	180	Yes	Yes	Yes	180	Yes	
9091-5050 K	500	500	180	Yes	Yes	Yes	180	Yes	
9091-5060 K	500	600	180	Yes	Yes	Yes	180	Yes	
9091-6060 K	600	600	180	Yes	Yes	Yes	180	Yes	

*Please contact with us for non-standart panel sizes

PRO 1200 Series

Article No	Installation Area			Back Area		Installation Depth			118x65,5 mm
	Width (mm)	Height (mm)	Depth (mm)	Hinge	Locking Mechanism	H Profile Installation Platform	Installation Depth (mm)		
1200-2525	250	250	120	Yes	Yes	-	120	Yes	
1200-2530	250	300	120	Yes	Yes	-	120	Yes	
1200-3030	300	300	120	Yes	Yes	-	120	Yes	
1200-3040	300	400	120	Yes	Yes	-	120	Yes	
1200-4040	400	400	120	Yes	Yes	-	120	Yes	
1200-4050	400	500	120	Yes	Yes	-	120	Yes	
1200-5050	500	500	120	Yes	Yes	-	120	Yes	
1200-5060	500	600	120	Yes	Yes	-	120	Yes	
1200-6060	600	600	120	Yes	Yes	-	120	Yes	



PRO 1202 Series

Article No	Installation Area			Back Area		Installation Depth			118x65,5 mm
	Width (mm)	Height (mm)	Depth (mm)	Hinge	Locking Mechanism	H Profile Installation Platform	Installation Depth (mm)		
1202-2525	250	250	120	Yes	Yes	-	120	Yes	
1202-2530	250	300	120	Yes	Yes	-	120	Yes	
1202-3030	300	300	120	Yes	Yes	-	120	Yes	
1202-3040	300	400	120	Yes	Yes	-	120	Yes	
1202-4040	400	400	120	Yes	Yes	-	120	Yes	
1202-4050	400	500	120	Yes	Yes	-	120	Yes	
1202-5050	500	500	120	Yes	Yes	-	120	Yes	
1202-5060	500	600	120	Yes	Yes	-	120	Yes	
1202-6060	600	600	120	Yes	Yes	-	120	Yes	

*Please contact with us for non-standart panel sizes

*Please contact with us for non-standart panel sizes

PRO 1201 Series

Article No	Installation Area			Back Area		Installation Depth			118x65,5 mm
	Width (mm)	Height (mm)	Depth (mm)	Hinge	Locking Mechanism	H Profile Installation Platform	Installation Depth (mm)		
1201-2525	250	250	120	Yes	Yes	-	120	Yes	
1201-2530	250	300	120	Yes	Yes	-	120	Yes	
1201-3030	300	300	120	Yes	Yes	-	120	Yes	
1201-3040	300	400	120	Yes	Yes	-	120	Yes	
1201-4040	400	400	120	Yes	Yes	-	120	Yes	
1201-4050	400	500	120	Yes	Yes	-	120	Yes	
1201-5050	500	500	120	Yes	Yes	-	120	Yes	
1201-5060	500	600	120	Yes	Yes	-	120	Yes	
1201-6060	600	600	120	Yes	Yes	-	120	Yes	



PRO 1201 K Series

Article No	Installation Area			Back Area		Installation Depth			118x65,5 mm
	Width (mm)	Height (mm)	Depth (mm)	Hinge	Locking Mechanism	H Profile Installation Platform	Installation Depth (mm)		
1201-2525 K	250	250	120	Yes	Yes	-	120	Yes	
1201-2530 K	250	300	120	Yes	Yes	-	120	Yes	
1201-3030 K	300	300	120	Yes	Yes	-	120	Yes	
1201-3040 K	300	400	120	Yes	Yes	-	120	Yes	
1201-4040 K	400	400	120	Yes	Yes	-	120	Yes	
1201-4050 K	400	500	120	Yes	Yes	-	120	Yes	
1201-5050 K	500	500	120	Yes	Yes	-	120	Yes	
1201-5060 K	500	600	120	Yes	Yes	-	120	Yes	
1201-6060 K	600	600	120	Yes	Yes	-	120	Yes	

*Please contact with us for non-standart panel sizes

*Please contact with us for non-standart panel sizes

PRO 1290 Series

Article No	Installation Area			Back Area		Installation Depth			118x65,5 mm
	Width (mm)	Height (mm)	Depth (mm)	Hinge	Locking Mechanism	H Profile Installation Platform	Installation Depth (mm)		
1290-2525	250	250	210	Yes	Yes	Yes	210	Yes	
1290-2530	250	300	210	Yes	Yes	Yes	210	Yes	
1290-3030	300	300	210	Yes	Yes	Yes	210	Yes	
1290-3040	300	400	210	Yes	Yes	Yes	210	Yes	
1290-4040	400	400	210	Yes	Yes	Yes	210	Yes	
1290-4050	400	500	210	Yes	Yes	Yes	210	Yes	
1290-5050	500	500	210	Yes	Yes	Yes	210	Yes	
1290-5060	500	600	210	Yes	Yes	Yes	210	Yes	
1290-6060	600	600	210	Yes	Yes	Yes	210	Yes	



PRO 1292 Series

Article No	Installation Area			Back Area		Installation Depth			118x65,5 mm
	Width (mm)	Height (mm)	Depth (mm)	Hinge	Locking Mechanism	H Profile Installation Platform	Installation Depth (mm)		
1292-2525	250	250	210	Yes	Yes	Yes	210	Yes	
1292-2530	250	300	210	Yes	Yes	Yes	210	Yes	
1292-3030	300	300	210	Yes	Yes	Yes	210	Yes	
1292-3040	300	400	210	Yes	Yes	Yes	210	Yes	
1292-4040	400	400	210	Yes	Yes	Yes	210	Yes	
1292-4050	400	500	210	Yes	Yes	Yes	210	Yes	
1292-5050	500	500	210	Yes	Yes	Yes	210	Yes	
1292-5060	500	600	210	Yes	Yes	Yes	210	Yes	
1292-6060	600	600	210	Yes	Yes	Yes	210	Yes	

*Please contact with us for non-standart panel sizes

*Please contact with us for non-standart panel sizes

PRO 1291 Series

Article No	Installation Area			Back Area		Installation Depth			118x65,5 mm
	Width (mm)	Height (mm)	Depth (mm)	Hinge	Locking Mechanism	H Profile Installation Platform	Installation Depth (mm)		
1291-2525	250	250	210	Yes	Yes	Yes	210	Yes	
1291-2530	250	300	210	Yes	Yes	Yes	210	Yes	
1291-3030	300	300	210	Yes	Yes	Yes	210	Yes	
1291-3040	300	400	210	Yes	Yes	Yes	210	Yes	
1291-4040	400	400	210	Yes	Yes	Yes	210	Yes	
1291-4050	400	500	210	Yes	Yes	Yes	210	Yes	
1291-5050	500	500	210	Yes	Yes	Yes	210	Yes	
1291-5060	500	600	210	Yes	Yes	Yes	210	Yes	
1291-6060	600	600	210	Yes	Yes	Yes	210	Yes	



PRO 1291 K Series

Article No	Installation Area			Back Area		Installation Depth			118x65,5 mm
	Width (mm)	Height (mm)	Depth (mm)	Hinge	Locking Mechanism	H Profile Installation Platform	Installation Depth (mm)		
1291-2525 K	250	250	210	Yes	Yes	Yes	210	Yes	
1291-2530 K	250	300	210	Yes	Yes	Yes	210	Yes	
1291-3030 K	300	300	210	Yes	Yes	Yes	210	Yes	
1291-3040 K	300	400	210	Yes	Yes	Yes	210	Yes	
1291-4040 K	400	400	210	Yes	Yes	Yes	210	Yes	
1291-4050 K	400	500	210	Yes	Yes	Yes	210	Yes	
1291-5050 K	500	500	210	Yes	Yes	Yes	210	Yes	
1291-5060 K	500	600	210	Yes	Yes	Yes	210	Yes	
1291-6060 K	600	600	210	Yes	Yes	Yes	210	Yes	

*Please contact with us for non-standart panel sizes

*Please contact with us for non-standart panel sizes

PRO 1500 Series

Article No	Installation Area			Back Area		Installation Depth			Ø 130mm
	Width (mm)	Height (mm)	Depth (mm)	Hinge	Locking Mechanism	H Profile Installation Platform	Installation Depth (mm)		
1500-2525	250	250	150	Yes	Yes	-	150	Yes	
1500-2530	250	300	150	Yes	Yes	-	150	Yes	
1500-3030	300	300	150	Yes	Yes	-	150	Yes	
1500-3040	300	400	150	Yes	Yes	-	150	Yes	
1500-4040	400	400	150	Yes	Yes	-	150	Yes	
1500-4050	400	500	150	Yes	Yes	-	150	Yes	
1500-5050	500	500	150	Yes	Yes	-	150	Yes	
1500-5060	500	600	150	Yes	Yes	-	150	Yes	
1500-6060	600	600	150	Yes	Yes	-	150	Yes	



*Please contact with us for non-standart panel sizes

PRO 1502 Series

Article No	Installation Area			Back Area		Installation Depth			Ø 130mm
	Width (mm)	Height (mm)	Depth (mm)	Hinge	Locking Mechanism	H Profile Installation Platform	Installation Depth (mm)		
1502-2525	250	250	150	Yes	Yes	-	150	Yes	
1502-2530	250	300	150	Yes	Yes	-	150	Yes	
1502-3030	300	300	150	Yes	Yes	-	150	Yes	
1502-3040	300	400	150	Yes	Yes	-	150	Yes	
1502-4040	400	400	150	Yes	Yes	-	150	Yes	
1502-4050	400	500	150	Yes	Yes	-	150	Yes	
1502-5050	500	500	150	Yes	Yes	-	150	Yes	
1502-5060	500	600	150	Yes	Yes	-	150	Yes	
1502-6060	600	600	150	Yes	Yes	-	150	Yes	

*Please contact with us for non-standart panel sizes

PRO 1501 Series

Article No	Installation Area			Back Area		Installation Depth			Ø 130mm
	Width (mm)	Height (mm)	Depth (mm)	Hinge	Locking Mechanism	H Profile Installation Platform	Installation Depth (mm)		
1501-2525	250	250	150	Yes	Yes	-	150	Yes	
1501-2530	250	300	150	Yes	Yes	-	150	Yes	
1501-3030	300	300	150	Yes	Yes	-	150	Yes	
1501-3040	300	400	150	Yes	Yes	-	150	Yes	
1501-4040	400	400	150	Yes	Yes	-	150	Yes	
1501-4050	400	500	150	Yes	Yes	-	150	Yes	
1501-5050	500	500	150	Yes	Yes	-	150	Yes	
1501-5060	500	600	150	Yes	Yes	-	150	Yes	
1501-6060	600	600	150	Yes	Yes	-	150	Yes	



*Please contact with us for non-standart panel sizes

PRO 1501 K Series

Article No	Installation Area			Back Area		Installation Depth			Ø 130mm
	Width (mm)	Height (mm)	Depth (mm)	Hinge	Locking Mechanism	H Profile Installation Platform	Installation Depth (mm)		
1501-2525 K	250	250	150	Yes	Yes	-	150	Yes	
1501-2530 K	250	300	150	Yes	Yes	-	150	Yes	
1501-3030 K	300	300	150	Yes	Yes	-	150	Yes	
1501-3040 K	300	400	150	Yes	Yes	-	150	Yes	
1501-4040 K	400	400	150	Yes	Yes	-	150	Yes	
1501-4050 K	400	500	150	Yes	Yes	-	150	Yes	
1501-5050 K	500	500	150	Yes	Yes	-	150	Yes	
1501-5060 K	500	600	150	Yes	Yes	-	150	Yes	
1501-6060 K	600	600	150	Yes	Yes	-	150	Yes	

*Please contact with us for non-standart panel sizes

PRO 1590 Series

Article No	Installation Area			Back Area		Installation Depth			Ø 130mm
	Width (mm)	Height (mm)	Depth (mm)	Hinge	Locking Mechanism	H Profile Installation Platform	Installation Depth (mm)		
1590-2525	250	250	240	Yes	Yes	Yes	240	Yes	
1590-2530	250	300	240	Yes	Yes	Yes	240	Yes	
1590-3030	300	300	240	Yes	Yes	Yes	240	Yes	
1590-3040	300	400	240	Yes	Yes	Yes	240	Yes	
1590-4040	400	400	240	Yes	Yes	Yes	240	Yes	
1590-4050	400	500	240	Yes	Yes	Yes	240	Yes	
1590-5050	500	500	240	Yes	Yes	Yes	240	Yes	
1590-5060	500	600	240	Yes	Yes	Yes	240	Yes	
1590-6060	600	600	240	Yes	Yes	Yes	240	Yes	



*Please contact with us for non-standart panel sizes

PRO 1592 Series

Article No	Installation Area			Back Area		Installation Depth			Ø 130mm
	Width (mm)	Height (mm)	Depth (mm)	Hinge	Locking Mechanism	H Profile Installation Platform	Installation Depth (mm)		
1592-2525	250	250	240	Yes	Yes	Yes	240	Yes	
1592-2530	250	300	240	Yes	Yes	Yes	240	Yes	
1592-3030	300	300	240	Yes	Yes	Yes	240	Yes	
1592-3040	300	400	240	Yes	Yes	Yes	240	Yes	
1592-4040	400	400	240	Yes	Yes	Yes	240	Yes	
1592-4050	400	500	240	Yes	Yes	Yes	240	Yes	
1592-5050	500	500	240	Yes	Yes	Yes	240	Yes	
1592-5060	500	600	240	Yes	Yes	Yes	240	Yes	
1592-6060	600	600	240	Yes	Yes	Yes	240	Yes	

*Please contact with us for non-standart panel sizes

PRO 1591 Series

Article No	Installation Area			Back Area		Installation Depth			Ø 130mm
	Width (mm)	Height (mm)	Depth (mm)	Hinge	Locking Mechanism	H Profile Installation Platform	Installation Depth (mm)		
1591-2525	250	250	240	Yes	Yes	Yes	240	Yes	
1591-2530	250	300	240	Yes	Yes	Yes	240	Yes	
1591-3030	300	300	240	Yes	Yes	Yes	240	Yes	
1591-3040	300	400	240	Yes	Yes	Yes	240	Yes	
1591-4040	400	400	240	Yes	Yes	Yes	240	Yes	
1591-4050	400	500	240	Yes	Yes	Yes	240	Yes	
1591-5050	500	500	240	Yes	Yes	Yes	240	Yes	
1591-5060	500	600	240	Yes	Yes	Yes	240	Yes	
1591-6060	600	600	240	Yes	Yes	Yes	240	Yes	



*Please contact with us for non-standart panel sizes

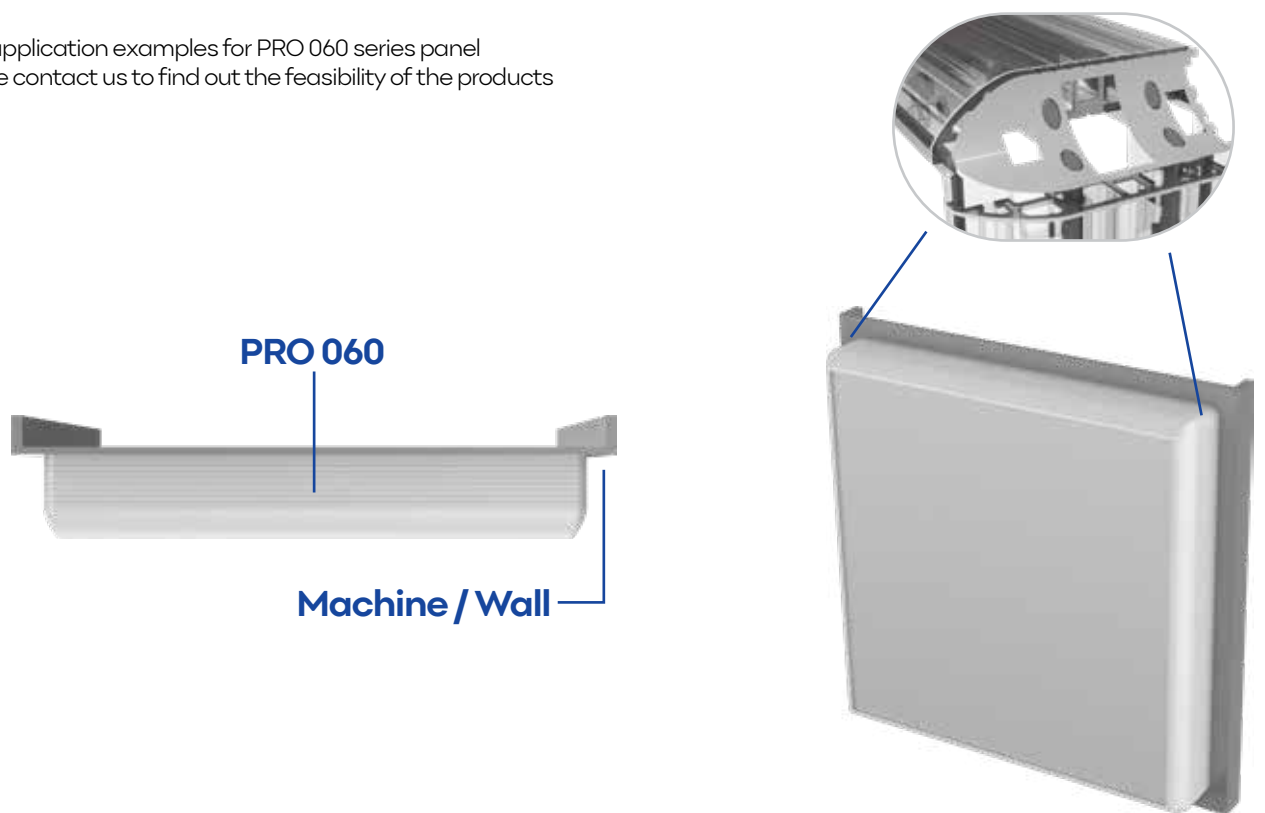
PRO 1591 K Series

Article No	Installation Area			Back Area		Installation Depth			Ø 130mm
	Width (mm)	Height (mm)	Depth (mm)	Hinge	Locking Mechanism	H Profile Installation Platform	Installation Depth (mm)		
1591-2525 K	250	250	240	Yes	Yes	Yes	240	Yes	
1591-2530 K	250	300	240	Yes	Yes	Yes	240	Yes	
1591-3030 K	300	300	240	Yes	Yes	Yes	240	Yes	
1591-3040 K	300	400	240	Yes	Yes	Yes	240	Yes	
1591-4040 K	400	400	240	Yes	Yes	Yes	240	Yes	
1591-4050 K	400	500	240	Yes	Yes	Yes	240	Yes	
1591-5050 K	500	500	240	Yes	Yes	Yes	240	Yes	
1591-5060 K	500	600	240	Yes	Yes	Yes	240	Yes	
1591-6060 K	600	600	240	Yes	Yes	Yes	240	Yes	

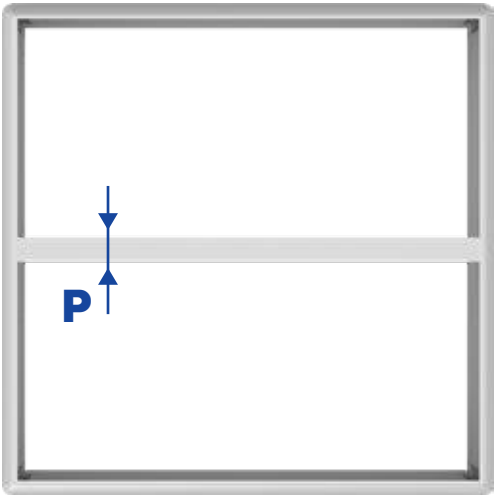
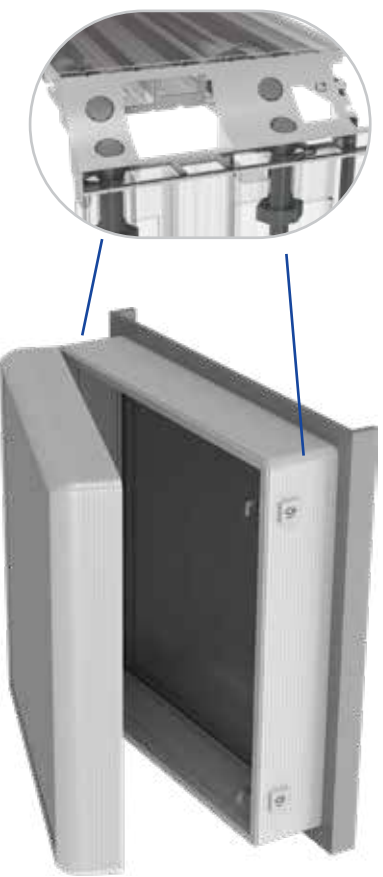
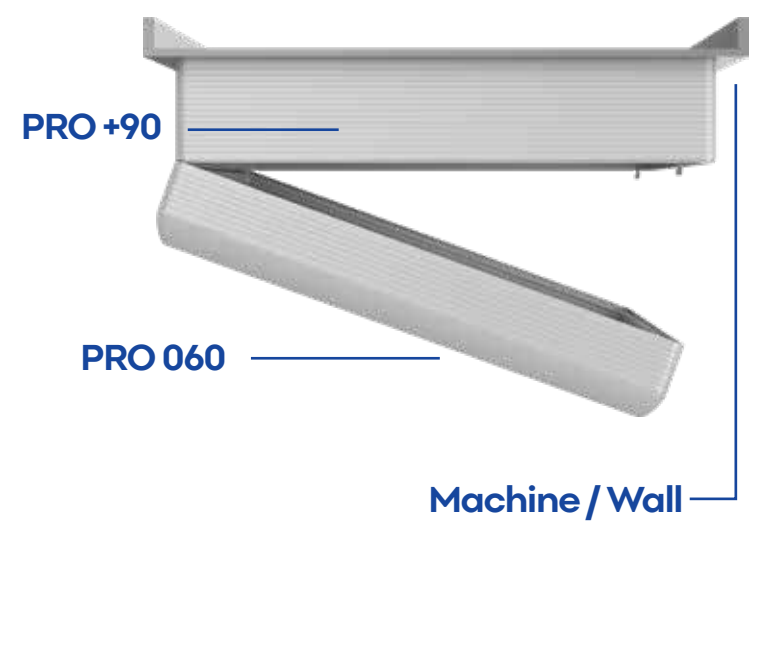
*Please contact with us for non-standart panel sizes

Panel Wall Mounting Application

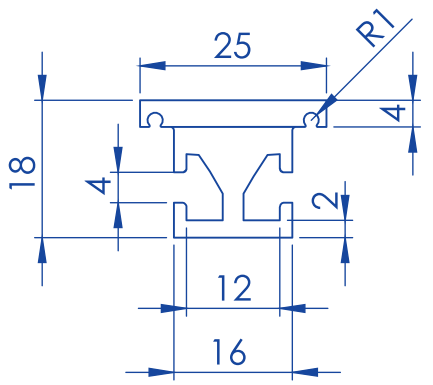
Wall application examples for PRO 060 series panel
Please contact us to find out the feasibility of the products



Panel Wall Mounting Application



P= 25 mm Front Face 25 mm



Front Sheet Installation PRO Panel



Zamak Alloys Connector



Panel Back Plate Fixed (Screw)



Panel Back Plate Moveable (Hinge)



Front Sheet Unprocessed

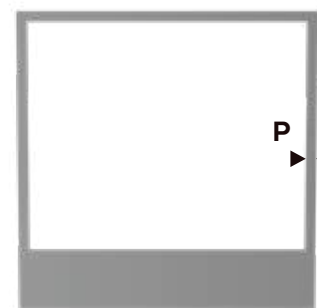
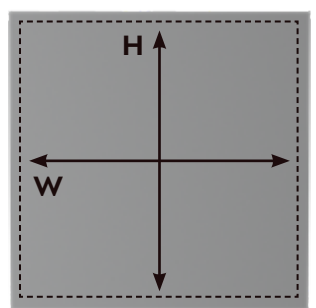
Front Sheet Unprocessed Suitable for PRO Panels



Front Sheet Processed Suitable for PRO Panels



Front Sheet Application

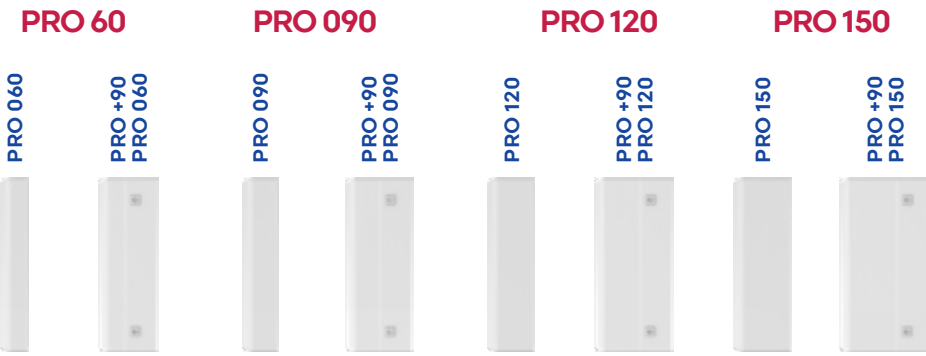


P= 21,5mm Instalation Area

Article No	Installation Area		
	Width (mm)	Height (mm)	Thickness (mm)
PRO			
LVH2.3030	300	300	2
LVH2.3040	300	400	2
LVH2.4040	400	400	2
LVH2.4050	400	500	2
LVH2.5050	500	500	2
LVH2.5060	500	600	2
LVH2.6060	600	600	2
LVH3.3030	300	300	3
LVH3.3040	300	400	3
LVH3.4040	400	400	3
LVH3.4050	400	500	3
LVH3.5050	500	500	3
LVH3.5060	500	600	3
LVH3.6060	600	600	3

Article No	Installation Area		
	Width (mm)	Height (mm)	Thickness (mm)
PRO			
LVH2.3030-1	300	300	2
LVH2.3040-1	300	400	2
LVH2.4040-1	400	400	2
LVH2.4050-1	400	500	2
LVH2.5050-1	500	500	2
LVH2.5060-1	500	600	2
LVH2.6060-1	600	600	2
LVH3.3030-1	300	300	3
LVH3.3040-1	300	400	3
LVH3.4040-1	400	400	3
LVH3.4050-1	400	500	3
LVH3.5050-1	500	500	3
LVH3.5060-1	500	600	3
LVH3.6060-1	600	600	3

Compatible Panel Connections

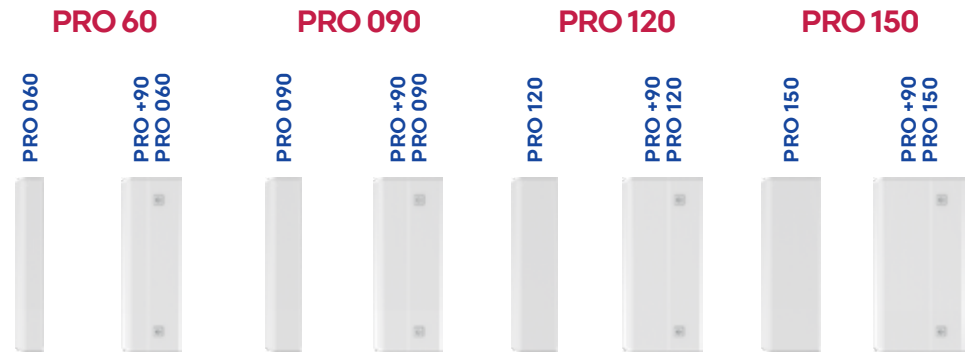


	PRO 60	PRO 090	PRO 120	PRO 150
ARM050.400	✓	✓	✓	✓
ARM050.830	✓	✓	✓	✓
ARM080.310	✗	✗	✓	✓
ARM080.320	✗	✗	✓	✓
ARM080.321	✗	✗	✓	✓
ARM080.400	✓	✓	✓	✓
ARM080.826	✓	✓	✓	✓
ARM080.830	✓	✓	✓	✓

✓ Compatible ✗ Incompatible

Articles starting with 'Only' are only valid for the related module.

Some modules may be compatible or incompatible according to the size dimensions of the panel frame dimensions. Please contact us for further information



	PRO 60	PRO 090	PRO 120	PRO 150
ARM080.831	✓	✓	✓	✓
ARM080.832	✓	✗	✗	✗
ARM080.833	✓	✓	✓	✓
ARM080.834	✗	✗	✓	Only PRO150
ARM080.835	✓	✓	✓	✓
ARM080.840	✗	✗	✓	Only PRO150
ARM130.310	✗	✗	✓	Only PRO150
ARM130.320	✗	✗	✓	Only PRO150
ARM130.400	✗	✗	✓	Only PRO150

✓ Compatible ✗ Incompatible

Articles starting with 'Only' are only valid for the related module.

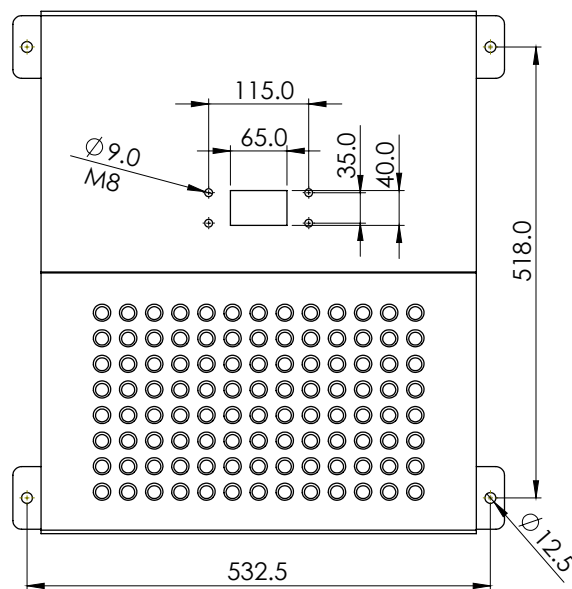
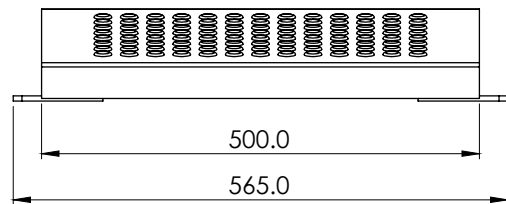
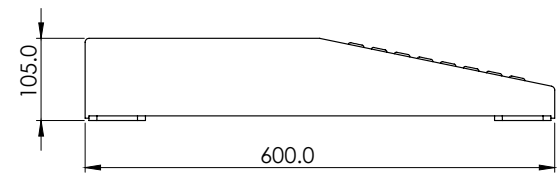
Some modules may be compatible or incompatible according to the size dimensions of the panel frame dimensions. Please contact us for further information

KIOSK SYSTEMS



Kiosk Plate

ARKS80.01

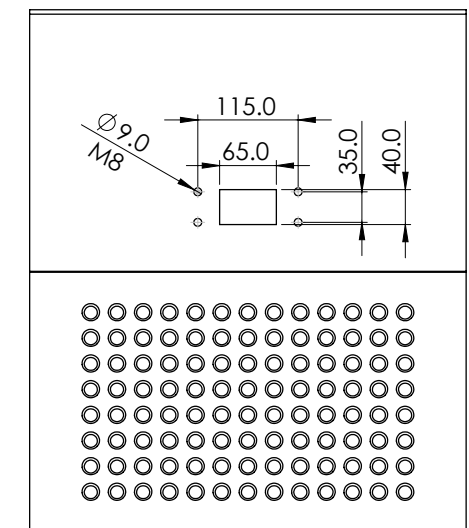
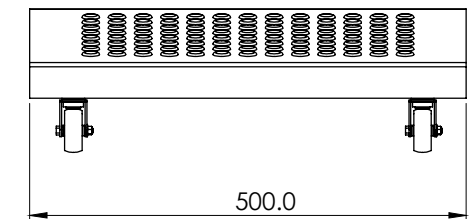
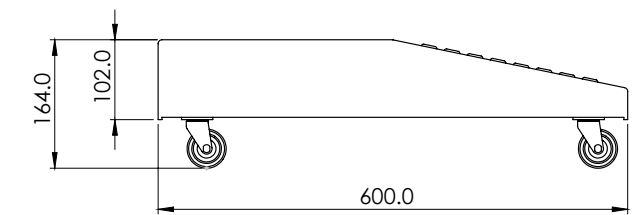


This product is produced to provide an optional placement of the electronic and operator devices such as PC and touch screen to any desired position. It is a fixed kiosk to the ground with a rectangular platform structure which balances the strength of the kiosk holding the electronic devices. It has a weight carrying capacity of 80 kilograms. The product can be redesigned in color and specifications according to the client requests.

Weight	17000 gr
Color Ral No	RAL 7035
Package	1
Package Dimension	510x110x610 mm
Movement	Fixed

ARKS80.02

Kiosk Plate

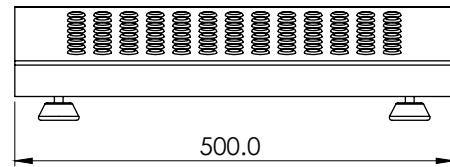
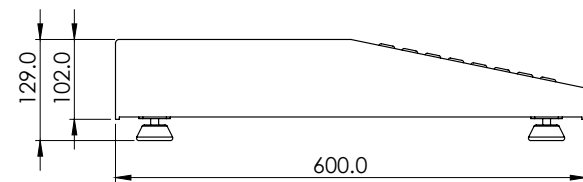


This product is produced to provide ease of movement and transportation of the electronic and operator devices such as PC and touch screen. It is a wheeled kiosk with a rectangular platform structure which balances the strength of the kiosk holding the electronic devices. It has a weight carrying capacity of 80 kilograms. The product can be redesigned in color and specifications according to the client requests.

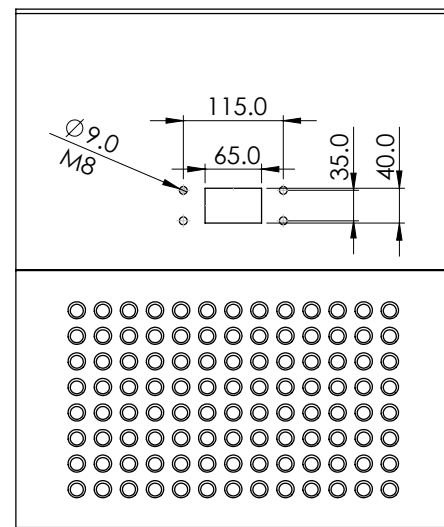
Weight	17000 gr
Color Ral No	RAL 7035
Package	1
Package Dimension	510x110x610 mm
Movement	Modular

Kiosk Plate

ARKS80.03



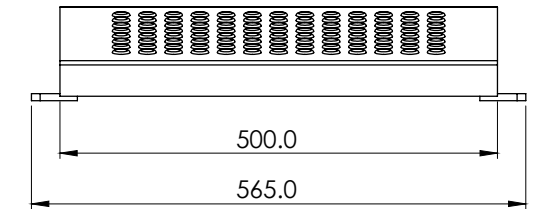
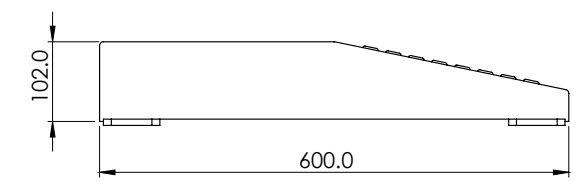
This product is produced to provide an optional placement of the electronic and operator devices such as PC and touch screen to any desired position. It is a fixed kiosk with adjustable feet with a rectangular platform structure which balances the strength of the kiosk holding the electronic devices. It has a weight carrying capacity of 80 kilograms. The product can be redesigned in color and specifications according to the client requests.



Weight	17000 gr
Color Ral No	RAL 7035
Package	1
Package Dimension	510x110x610 mm
Movement	Fixed

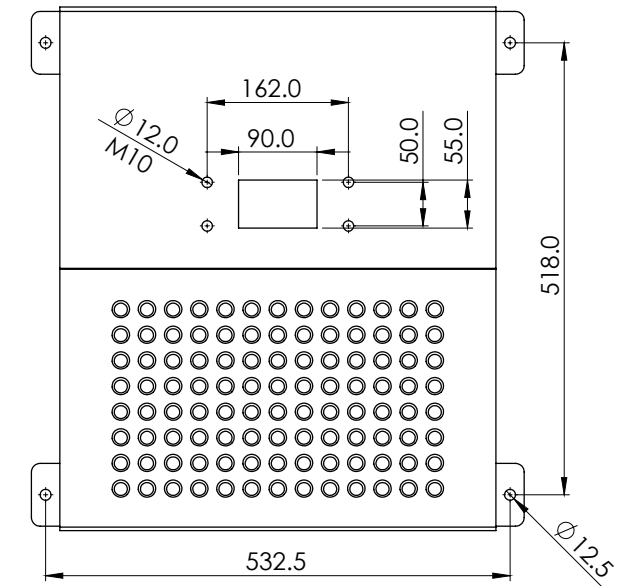
ARKS130.01

Kiosk Plate

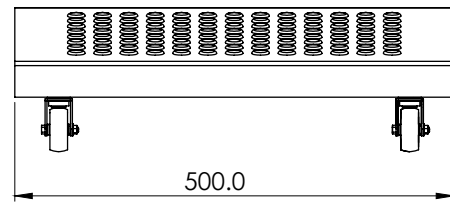
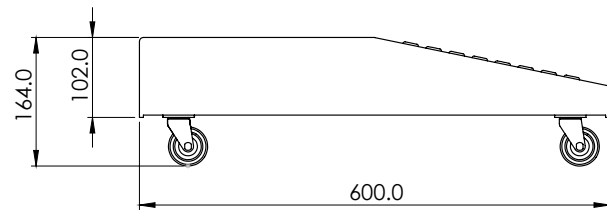


This product is produced to provide an optional placement of the electronic and operator devices such as PC and touch screen to any desired position. It is a fixed kiosk to the ground with a rectangular platform structure which balances the strength of the kiosk holding the electronic devices. It has a weight carrying capacity of 130 kilograms. The product can be redesigned in color and specifications according to the client requests.

Weight	17000 gr
Color Ral No	RAL 7035
Package	1
Package Dimension	510x110x610 mm
Movement	Fixed

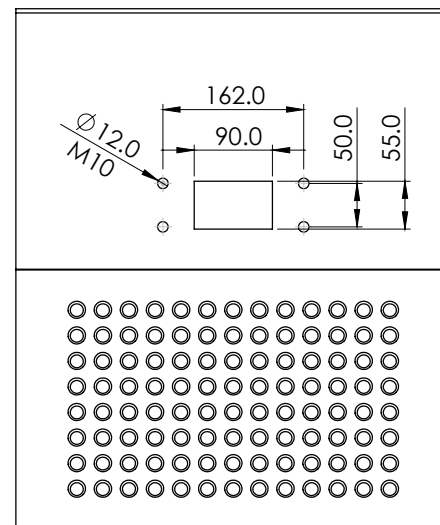


Kiosk Plate **ARKS130.02**

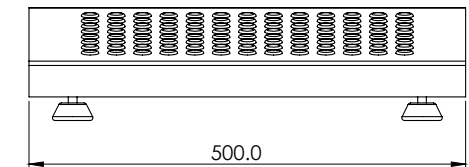
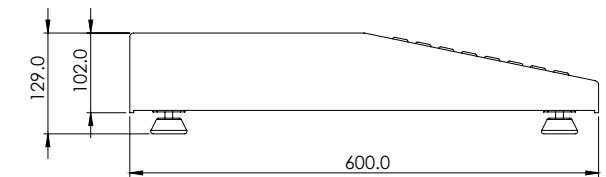


This product is produced to provide ease of movement and transportation of the electronic and operator devices such as PC and touch screen. It is a wheeled kiosk with a rectangular platform structure which balances the strength of the kiosk holding the electronic devices. It has a weight carrying capacity of 130 kilograms. The product can be redesigned in color and specifications according to the client requests.

Weight	17000 gr
Color Ral No	RAL 7035
Package	1
Package Dimension	510x110x610 mm
Movement	Modular

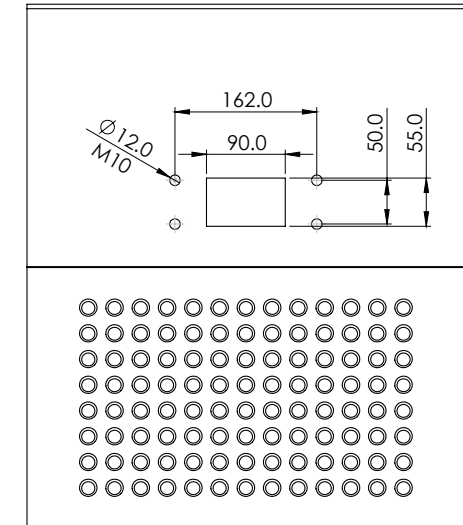


ARKS130.03 Kiosk Plate



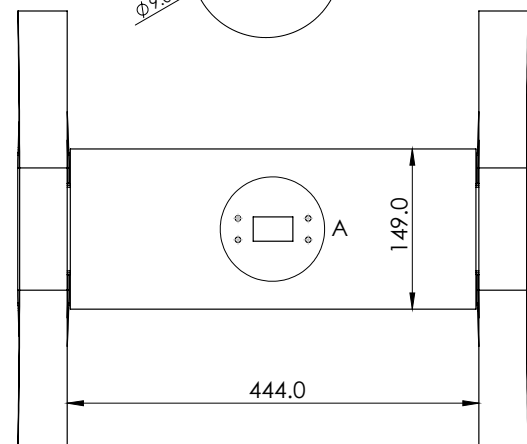
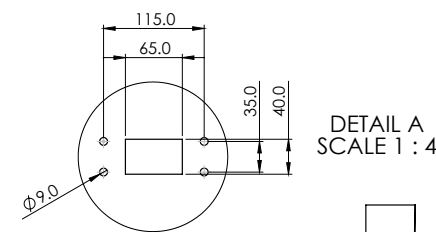
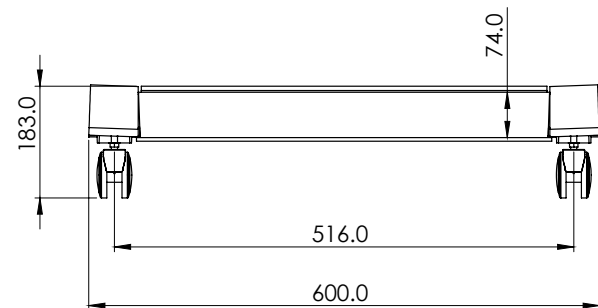
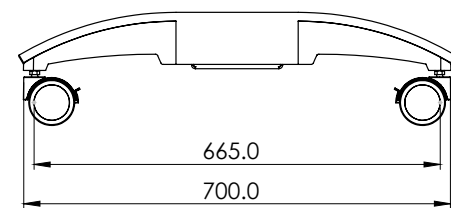
This product is produced to provide an optional placement of the electronic and operator devices such as PC and touch screen to any desired position. It is a fixed kiosk with adjustable feet with a rectangular platform structure which balances the strength of the kiosk holding the electronic devices. It has a weight carrying capacity of 130 kilograms. The product can be redesigned in color and specifications according to the client requests.

Weight	17000 gr
Color Ral No	RAL 7035
Package	1
Package Dimension	510x110x610 mm
Movement	Fixed



Kiosk Slim

ARKH080

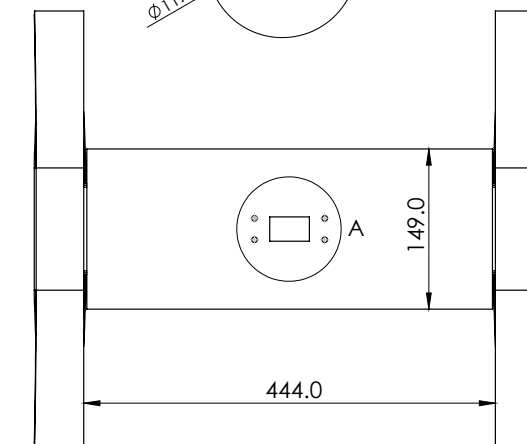
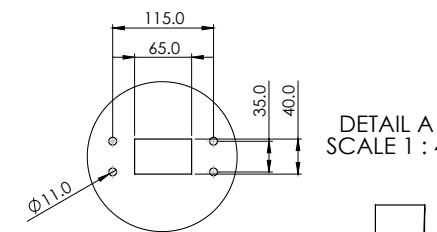
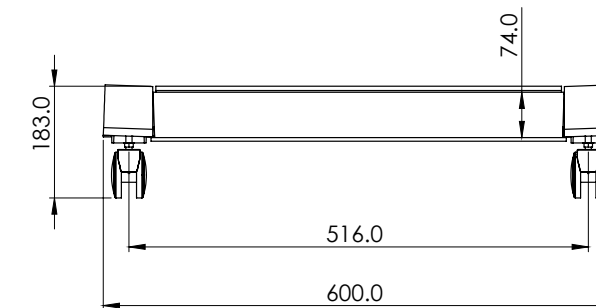
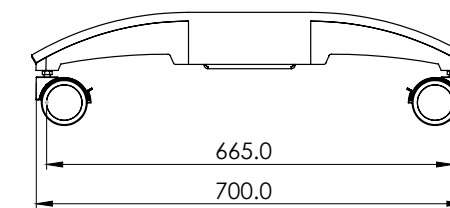


This product is produced to provide ease of movement and transportation of the electronic and operator devices such as PC and touch screen. It is a wheeled slim kiosk with a rectangular platform structure which balances the strength of the kiosk holding the electronic devices. It has a weight carrying capacity of 80 kilograms. The product can be redesigned in color and specifications according to the client requests.

Weight	12000 gr
Color Ral No	RAL 7035 / RAL 7016
Package	1
Package Dimension	335x705x95 mm
Movement	Modular

ARKH130

Kiosk Slim



This product is produced to provide ease of movement and transportation of the electronic and operator devices such as PC and touch screen. It is a wheeled slim kiosk with a rectangular platform structure which balances the strength of the kiosk holding the electronic devices. It has a weight carrying capacity of 130 kilograms. The product can be redesigned in color and specifications according to the client requests.

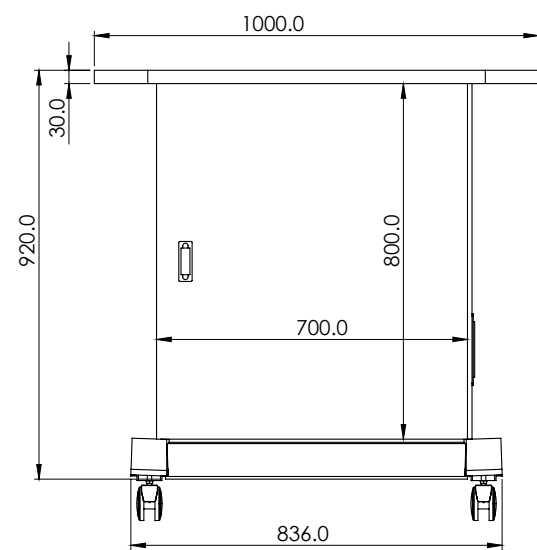
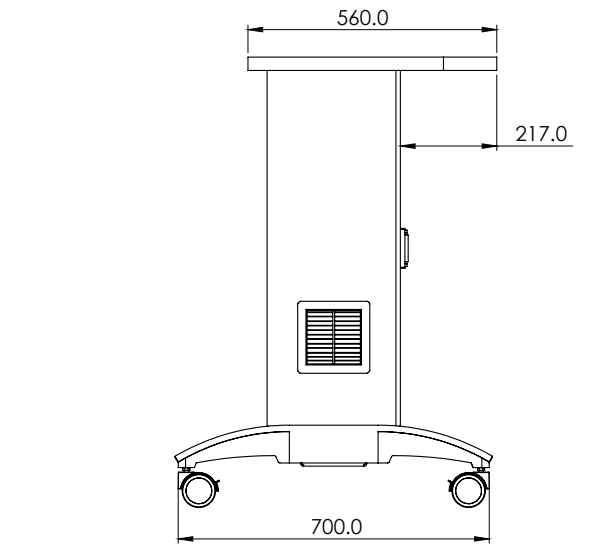
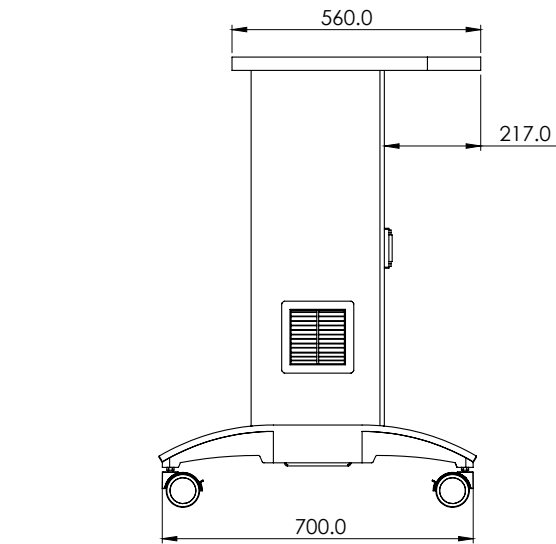
Weight	12000 gr
Color Ral No	RAL 7035 / RAL 7016
Package	1
Package Dimension	335x705x95 mm
Movement	Modular

Kiosk PC Cabinet

ARKPC01

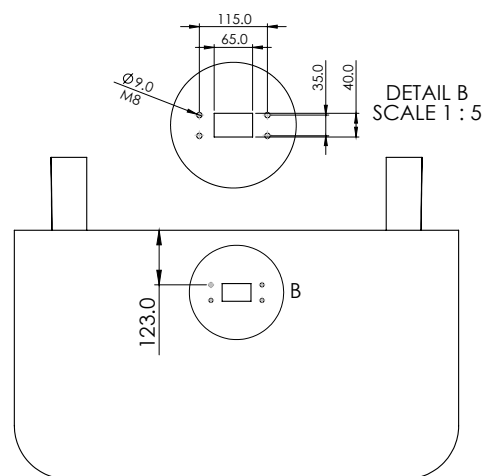
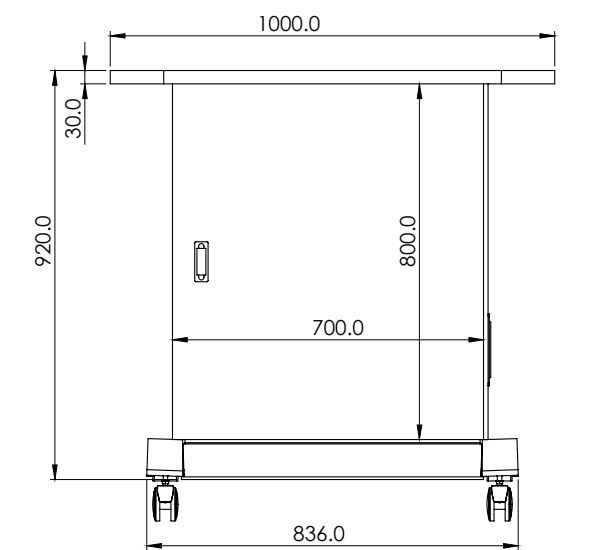
ARKPC02

Kiosk PC Cabinet



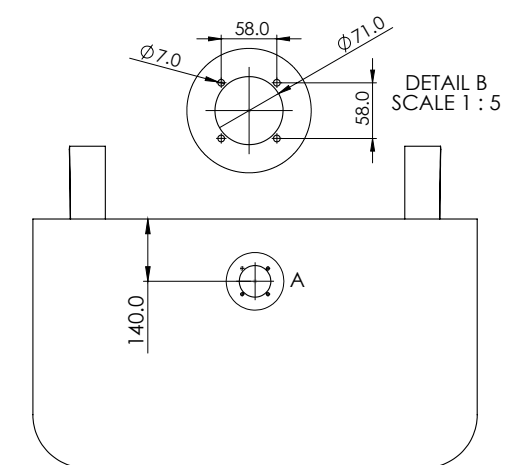
Kiosk PC Cabinets are designed by adding to the kiosk a closed cabinet system on wheeled plate which will provide an extra protection for the computers and will facilitate the functionality of the control and the movement of electronic operating systems. It also produced with an extra enlarged upper surface that facilitates the placement of accessories such as a useful cover design, and the ventilation fan that prevents deformation inside the cabinet. The standard dimensions of the model are 1010 mm in height, 1000 mm in width and 300 mm in depth. The product can be redesigned in color and specifications according to the client requests.

Kiosk PC Cabinets are designed by adding to the kiosk a closed cabinet system on wheeled plate which will provide an extra protection for the computers and will facilitate the functionality of the control and the movement of electronic operating systems. It also produced with an extra enlarged upper surface that facilitates the placement of accessories such as a useful cover design, and the ventilation fan that prevents deformation inside the cabinet. The standard dimensions of the model are 1010 mm in height, 1000 mm in width and 300 mm in depth. The product can be redesigned in color and specifications according to the client requests.



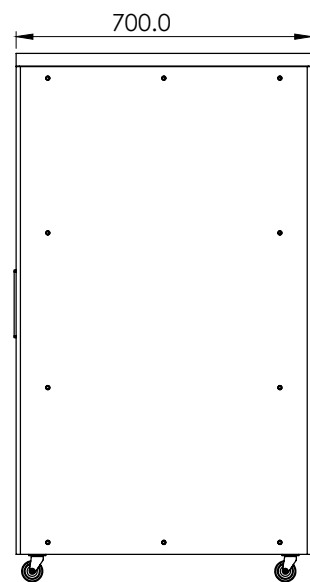
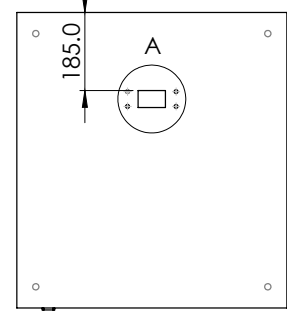
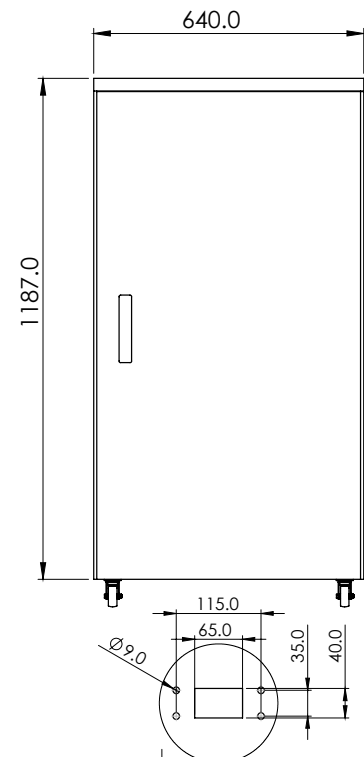
Weight	100.000 gr
Color Ral No	RAL 7035
Package	1
Package Dimension	650x710x1200 mm
Movement	Modular

Weight	100.000 gr
Color Ral No	RAL 7035
Package	1
Package Dimension	650x710x1200 mm
Movement	Modular



Kiosk Cabinet Systems

ARKC01

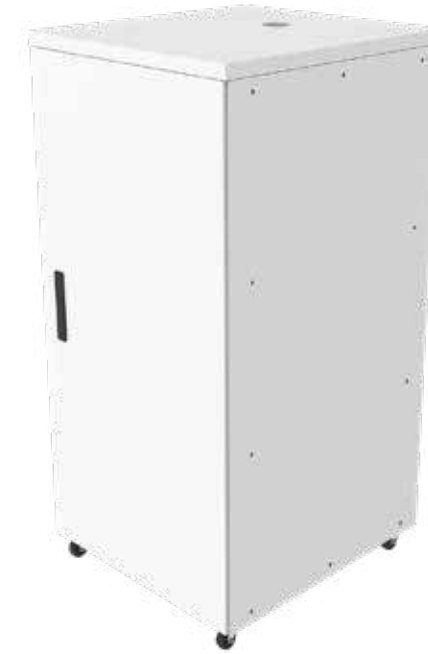


ARM.130.811 Warning Lamp Cover (M18) is placed on the corner module ensuring an area for the warning lamp to be placed. The warning lamp connection diameter is M18x1.5

Weight	1000 gr
Color Ral No	RAL 7035 (Cover RAL 7016)
Package	1
Package Dimension	150x160x140 mm
Material	Aluminum
Movement	Rotatable 315°
Diameter	Ø130 mm

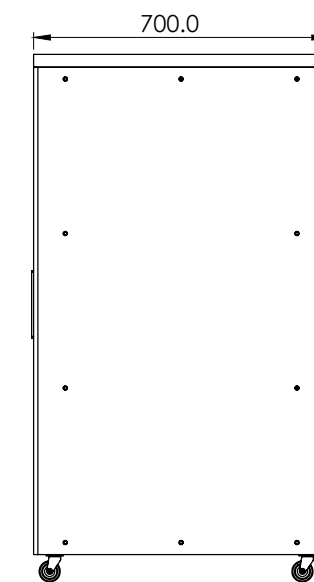
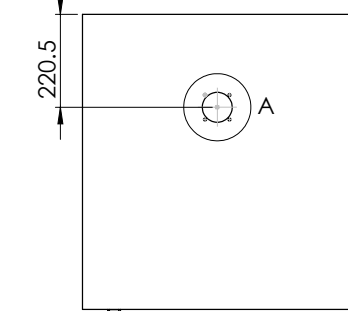
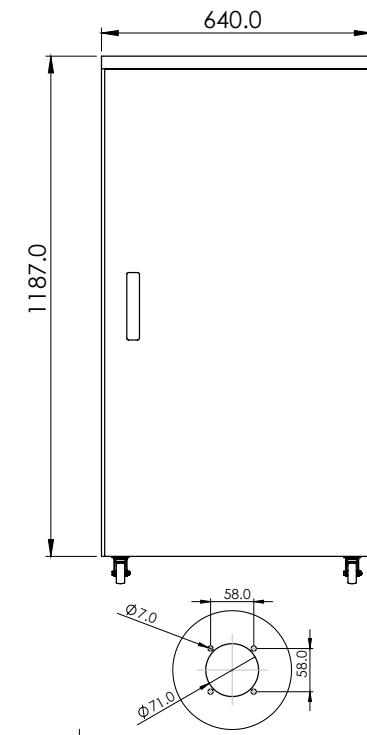
ARKC02

Kiosk Cabinet Systems

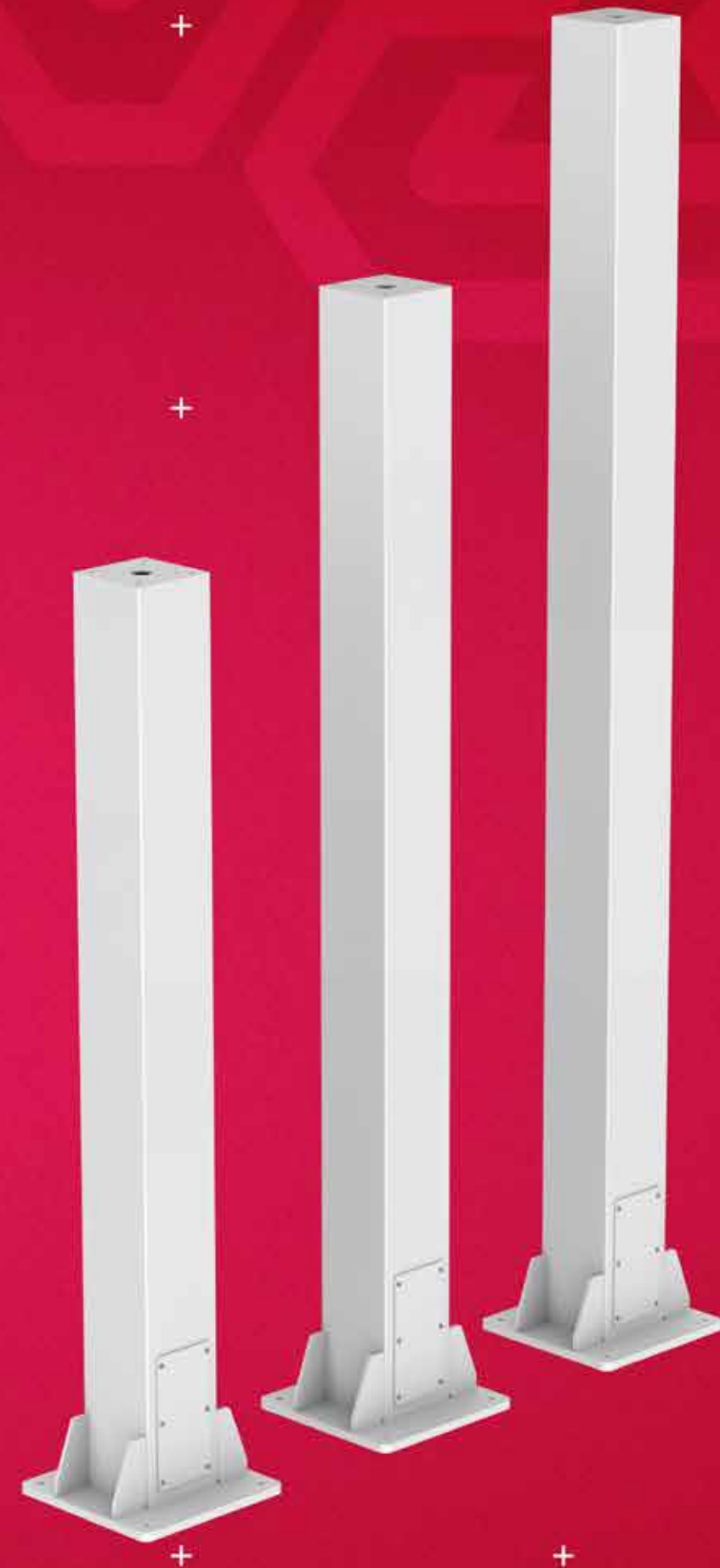


130/080 Support Arm Adaptor is used to secure the connection between ARM.130 and ARM.080. Its is designed for configurations of heavy loads. The configurations with this product prevent vibrating and sagging as a result of heavy loads. This support Arm Adaptor can be used horizontally or vertically.

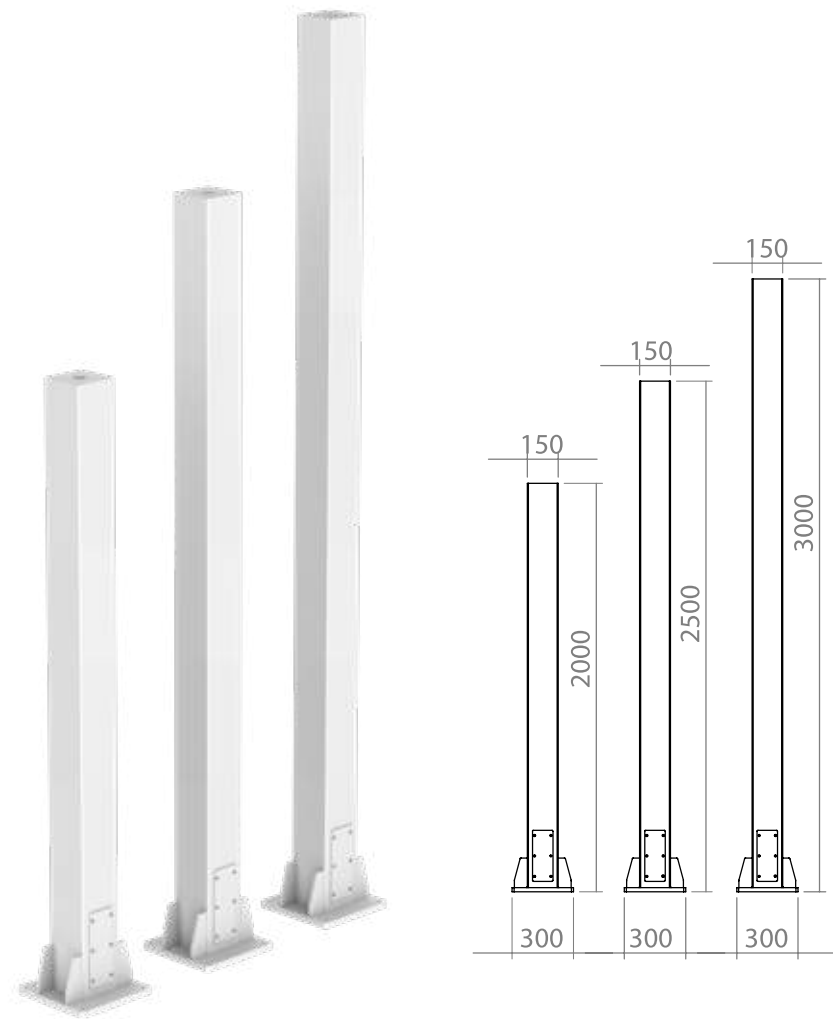
Weight	1000 gr
Color Ral No	RAL 7035 (Cover RAL 7016)
Package	1
Package Dimension	150x160x140 mm
Material	Aluminum
Movement	Rotatable 315°
Diameter	Ø130 mm



COUPLING TOWERS



Coupling Towers KL150 Series

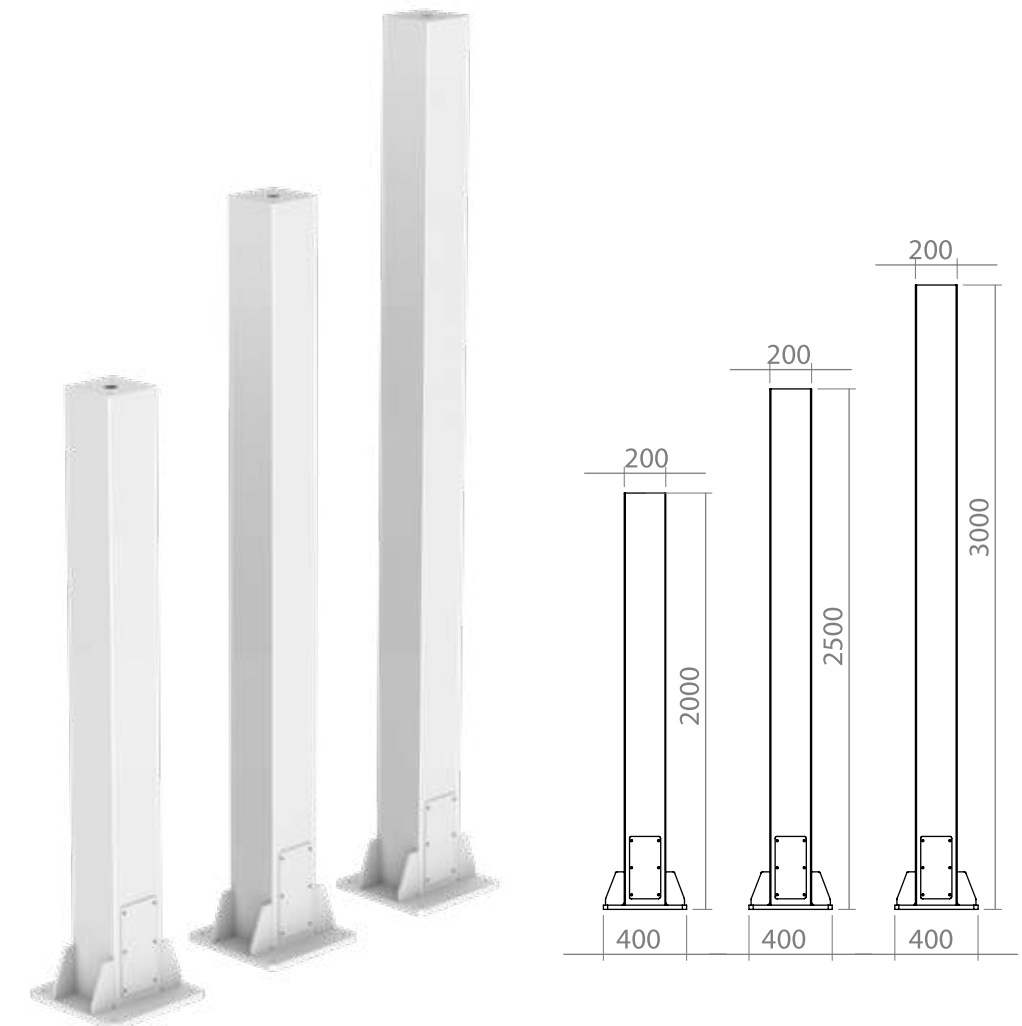


We use an ergonomic coupling tower which provides a strong support for your application. Towers hold and protect the industrial controllers, PCs and operating panels and offers a secure accommodation for all connected cables. We have many tower dimensions and the RAL 7035 is the standard color used.

Tower Dimensions :

150x150 (LxW) and 2.0 , 2.5 , or 3.0 mt Height
200x200 (LxW) and 2.0 , 2.5 , or 3.0 mt Height

Coupling Towers KL200 Series



	KL150.200	KL150.250	KL150.300	KL200.200	KL200.250	KL200.300
Weight (kg)	45	55	65	70	80	100
Length (mm)	2000	2500	3000	2000	2500	3000
Color No	7035	7035	7035	7035	7035	7035
Package	1	1	1	1	1	1
Package Dimension (mm)	320x320x2020	320x320x2520	320x320x3020	420x420x2020	420x420x2520	420x420x3020
Movement	Fixed	Fixed	Fixed	Fixed	Fixed	Fixed

WARNING LAMP



1BODY 3OR 5COLOR



Model	ARM-T6	ARM-R6	ARM-T/V/R7K	ARM-Q	ARM-B	ARM-PRO	ARM-V/VB50
Voltage	24VAC-DC						
Power	Max. 3.2W per color				Max. 1.3W per color		
Luminous Source	LED						
Signal Type	Continuous/Flashing/Strobe				Continuous		
Color	Red/Green/Yellow/Blue/White				Red/Green/Yellow		
Lens Material	PC						
Housing Material	ABS				Aluminum	ABS	
Buzzer Output (dB)	92dB						
Mounting Type	Screw Mounted	PG13.5 Locknut Mounted	Screw/Bolt/ Locknut Mounted	Screw Mounted to Wall	Screw Mounted to Wall	Screw Mounted	M32 Locknut Mounted
Connection	Cable or Connector						
Protection	IP65						

Our variety of pick-to-light solutions guide the operators to pick the part next to be assembled. This eliminates the possibility of faulty production, lowers costs and increases speed and efficiency in the production line.



Model	ARM-PL50-P	ARM-PL50-S	ARM-PL50-T
Voltage	18-30V		
Current	75 mA		
Output Rating	Max. load 150mA		
Color	Red, Green, Blue, Yellow, White		
Lens Material	PC		
Housing Material	ABS		
Sensing Principle	Mechanical Button - Optical - Capacitive Touch		
Buzzer	-	✓	-
Response Time	< 50milli seconds ON and OFF		
Working Temperature	-40...50°C		
Protection	IP69K		
Dimensions	Ø50xH62 mm	Ø50xH55 mm	Ø50xH76,7 mm
Mounting Type	M30x1,5mm		
Connection	5 pin M12 Male Connector or 0.7m cable		

Ø50

PM5 SERIES

Aesthetic, Powerful, Modular, Functional



Model	ARMPM5-..1	ARMPM5-..2	İL-XPM5-..3	İL-XPM5-..4	İL-XPM5-..5
Voltage	12VDC - 24VDC - 110VAC - 220VAC				
Power	Red: 1.5W, Green-Yellow-Blue-White : 0.9W				
Luminous Source	LED				
Signal Type	Multi (Continuous/Flashing)				
Colors	Red, Green, Yellow, Blue, White (one for each segment)				
Lens Material	PC				
Housing Material	ABS				
Buzzer Tone Type	Multi (Continuous/Intermittent)				
Buzzer Output (dB)	92dB				
Protection	IP65				
Weight Approx (kg)	0,17	0,22	0,26	0,31	0,35
Dimensions (mm)	55x75x176	55x75x225	55x75x274	55x75x324	55x75x373
Mounting	Base mount with M5 bolts				
Connection	Unterminated cable				

Ø50

PROFESSIONAL



Model	ARM-PRO-..1	ARM-PRO-..2	ARM-PRO-..3	ARM-PRO-..4	ARM-PRO-..5
Voltage	24 VDC				
Power	Red: 1.5W, Green-Yellow-Blue-White : 0.9W				
Luminous Source	LED				
Signal Type	Continuous				
Colors	Red, Green, Yellow, Blue, White (one for each segment)				
Lens Material	PC				
Housing Material	Aluminium				
Buzzer Tone Type	Intermittent				
Buzzer Output (dB)	92dB				
Protection	IP65				
Weight Approx (kg)	0.36	0.42	0.48	0.54	0.6
Dimensions (mm)	78x52x246	78x52x314	78x52x382	78x52x450	78x52x518
Mounting	Base mount with M4 bolts				
Connection	Unterminated cable				

Ø50



Model	ARM-T5-..1	ARM-T5-..2	ARM-T5-..3	ARM-T5-..4	ARM-T5-..5
Voltage	12VDC - 24VDC - 110VAC - 220VAC				
Power	Red: 1.5W, Green-Yellow-Blue-White : 0.9W				
Signal Type	Continuous (S) Flashing (F)				
Lens Material	PC				
Housing Material	ABS				
Buzzer Tone Type	Intermittent				
Buzzer Output dB	92dB				
Protection	IP65				
Weight Approx (kg)	0,15	0,21	0,27	0,33	0,40
Dimensions (mm)	52x75x190	52x75x255	52x75x320	52x75x385	52x75x450
Mounting	Base mount with M5 bolts				
Connection	Unterminated cable				

Ø70



Model	ARM-T7-..1	ARM-T7-..2	ARM-T7-..3	ARM-T7-..4	ARM-T7-..5
Voltage	12VDC - 24VDC - 110VAC - 220VAC				
Power	Red: 2W, Green: 1.3W, Yellow: 0.8W, Blue: 1.4W, White: 1.3W				
Signal Type	Multi (Continuous/Flashing) - 4 modes optional (Continuous/Flashing/Rotating/Strobe)				
Lens Material	PC				
Housing Material	ABS				
Buzzer Tone Type	Continuous or Flashing				
Buzzer Output dB	92dB standard - 110dB optional				
Protection	IP65				
Weight Approx (kg)	0,22	0,3	0,38	0,46	0,54
Dimensions (mm)	68x75x154	68x75x219	68x75x284	68x75x349	68x75x414
Connection	Unterminated cable				

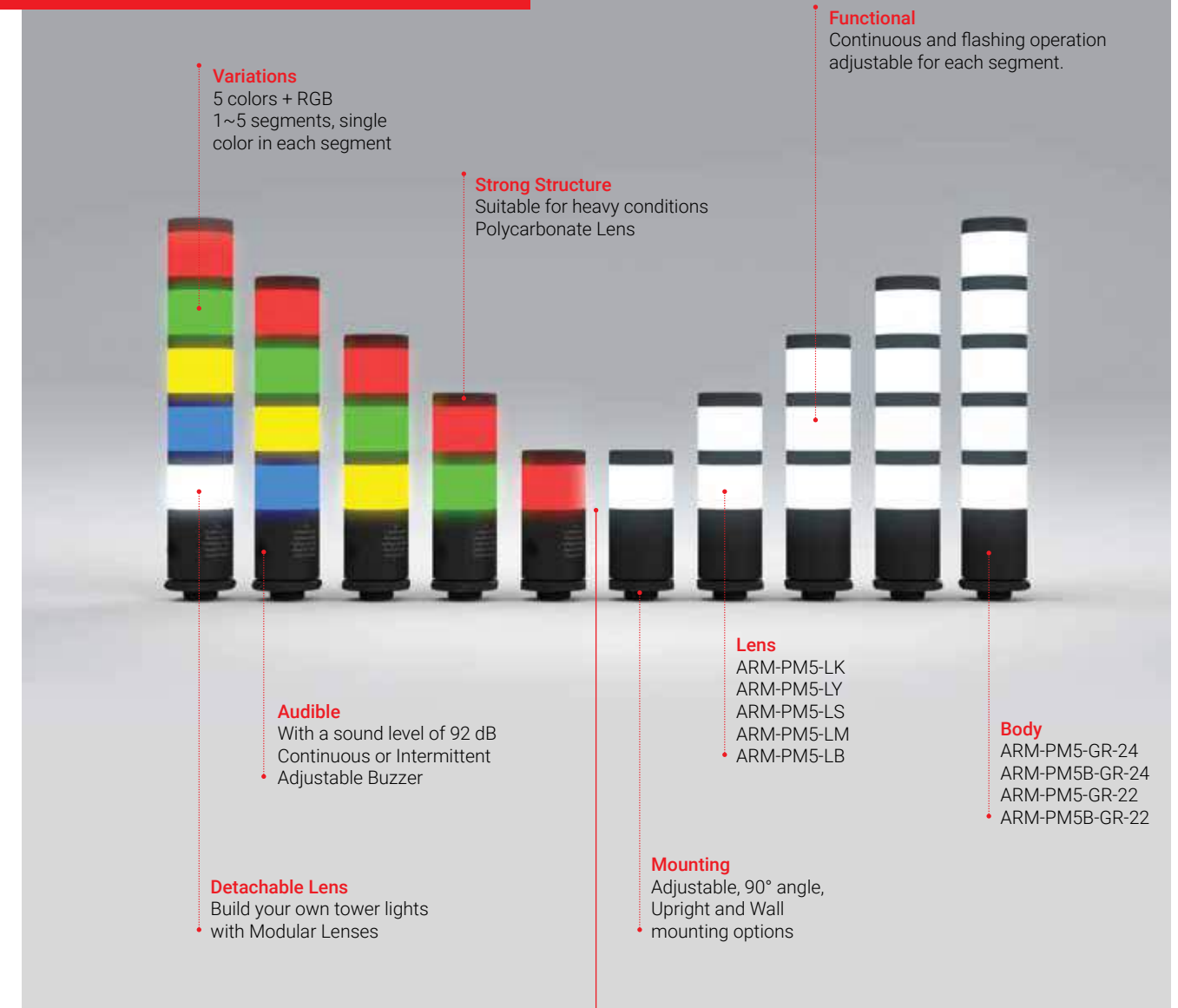
- Available as modular segments, which allows customization in field
- Each light module can be configured individually to continuous or flashing operation mode
- Shock and heat resistant polycarbonate lenses



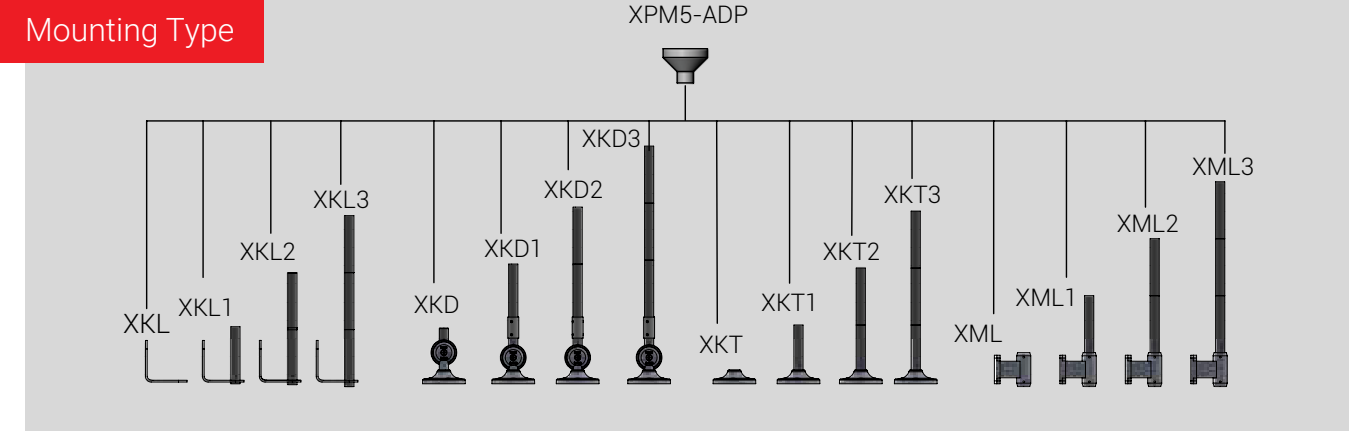
Model	ARM-B-QH	ARM-B-BH	ARM-MB-QH	ARM-MB-BH/ MB-BH-1	ARM-MB-BH-2	ARM-MB-BH-3
Voltage	12VDC - 24VDC - 110VAC - 220VAC					
Power	-		Red - Yellow: 3W, Green, Blue, White: 2.2W			
Luminous Source	-		LED			
Signal Type	-		Multi (for each segment)			
Colors	-		Red, Green, Yellow, Blue, White			
Lens Material	-		PC			
Housing Material	ABS					
Buzzer Tone Type	7 Melodies					
Buzzer Output dB	92dB standard - 110dB optional					
Protection	IP65					
Weight Approx (kg)	0,08	0,13	0,14	0,22	0,29	0,37
Dimensions (mm)	66x76x69	66x76x160	68x76x125	68x76x220	68x76x284	68x76x340
Connection	Unterminated cable					

It is designed to add value to your machine. Recreate your tower lights.

Aesthetic, Powerful, Modular, Functional



Mounting Type



ENCLOSURE COOLING SYSTEMS



Enclosure Cooling ARMCS.050



Floor Standing Side Cover Assembly
Digital Thermostat Control
Inox
Easy Maintenance - With Openable Cover
A Class Equipment

ARMCS.050 Technical Information

Case Option	RAL 7035
Cooling Capacity	450 W
Rated Voltage/Frekans	220-230V/50-60Hz
Starting Current (A)	4,2 A
Operating Current (A)	2,2 A
Fuse (A)	6A
Max Pressure	26 bar
Size : Height/Width/Depth	550x300x230 mm
P Size: Height/Width/Depth	600x350x265 mm
Net Weight	23 Kg
Gross Weight	25 Kg
Evaporatör Fan Air Volume	325m ³ /h
Kondanser Air Volume	465m ³ /h
Power Consumption	260 W
Refrigerant	R134a
Operational range	(+20 °C / +55 °C)
Protection System	IP 54
Mounting Method	Steep-Wall
Thermostat setting	30 °C
Cop Heating Efficiency Coefficient	1,73

Enclosure Cooling ARMCS.100



Floor Standing Side Cover Assembly
Digital Thermostat Control
Inox
Easy Maintenance - With Openable Cover
A Class Equipment

ARMCS.100 Technical Information

Case Option	RAL 7035
Cooling Capacity	1080 W
Rated Voltage/Frekans	198-252V/50-60Hz
Starting Current (A)	12,2 A
Operating Current (A)	4,1 A
Fuse (A)	16A
Max Pressure	26 bar
Size : Height/Width/Depth	900x400x220 mm
P Size: Height/Width/Depth	945x455x265 mm
Net Weight	35,4 Kg
Gross Weight	37 Kg
Evaporatör Fan Air Volume	540m ³ /h
Kondanser Air Volume	945m ³ /h
Power Consumption	690 W
Refrigerant	R134a
Operational range	(+20 °C / +55 °C)
Protection System	IP 54
Mounting Method	Steep-Wall
Thermostat setting	30 °C
Cop Heating Efficiency Coefficient	1,73

Enclosure Cooling ARMCS.200



Floor Standing Side Cover Assembly
Digital Thermostat Control
Inox
Easy Maintenance - With Openable Cover
A Class Equipment

ARMCS.200 Technical Information

Case Option	RAL 7035
Cooling Capacity	1930 W
Rated Voltage/Frekans	187-254V/50-60Hz
Starting Current (A)	12,8 A
Operating Current (A)	4,6 A
Fuse (A)	16A
Max Pressure	26 bar
Size : Height/Width/Depth	1000x400x250 mm
P Size: Height/Width/Depth	1050x455x280 mm
Net Weight	46 Kg
Gross Weight	48 Kg
Evaporatör Fan Air Volume	945m ³ /h
Kondanser Air Volume	945m ³ /h
Power Consumption	980 W
Refrigerant	R134a
Operational range	(+20 °C / +55 °C)
Protection System	IP 54
Mounting Method	Steep-Wall
Thermostat setting	30 °C
Cop Heating Efficiency Coefficient	1,97

Enclosure Cooling ARMCS.300



Floor Standing Side Cover Assembly
Digital Thermostat Control
Inox
Easy Maintenance - With Openable Cover
A Class Equipment

ARMCS.300 Technical Information

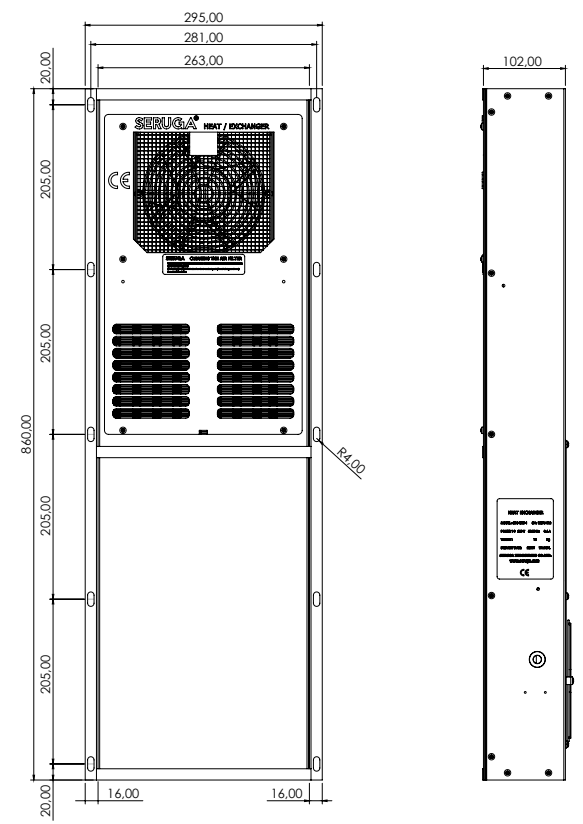
Case Option	RAL 7035
Cooling Capacity	2960 W
Rated Voltage/Frekans	187-254V/50-60Hz
Starting Current (A)	19,8 A
Operating Current (A)	7,2 A
Fuse (A)	25A
Max Pressure	26 bar
Size : Height/Width/Depth	1000x400x250 mm
P Size: Height/Width/Depth	1050x455x280 mm
Net Weight	52 Kg
Gross Weight	54,5 Kg
Evaporatör Fan Air Volume	945m ³ /h
Kondanser Air Volume	1220m ³ /h
Power Consumption	690 W
Refrigerant	R134a
Operational range	(+20 °C / +55 °C)
Protection System	IP 54
Mounting Method	Steep-Wall
Thermostat setting	30 °C
Cop Heating Efficiency Coefficient	2,24

Air/Air Heat Exchangers
ARMHE.100



100 watt
Color RAL 7035
Power 220 V 50/60 Hz 0,4 A

ARMHE.100 Technical Information

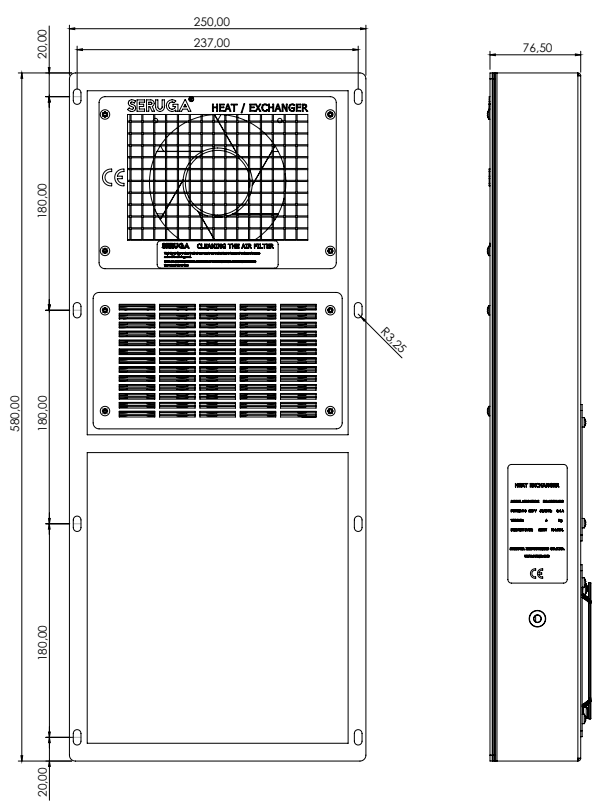


Air/Air Heat Exchangers
ARMHE.200



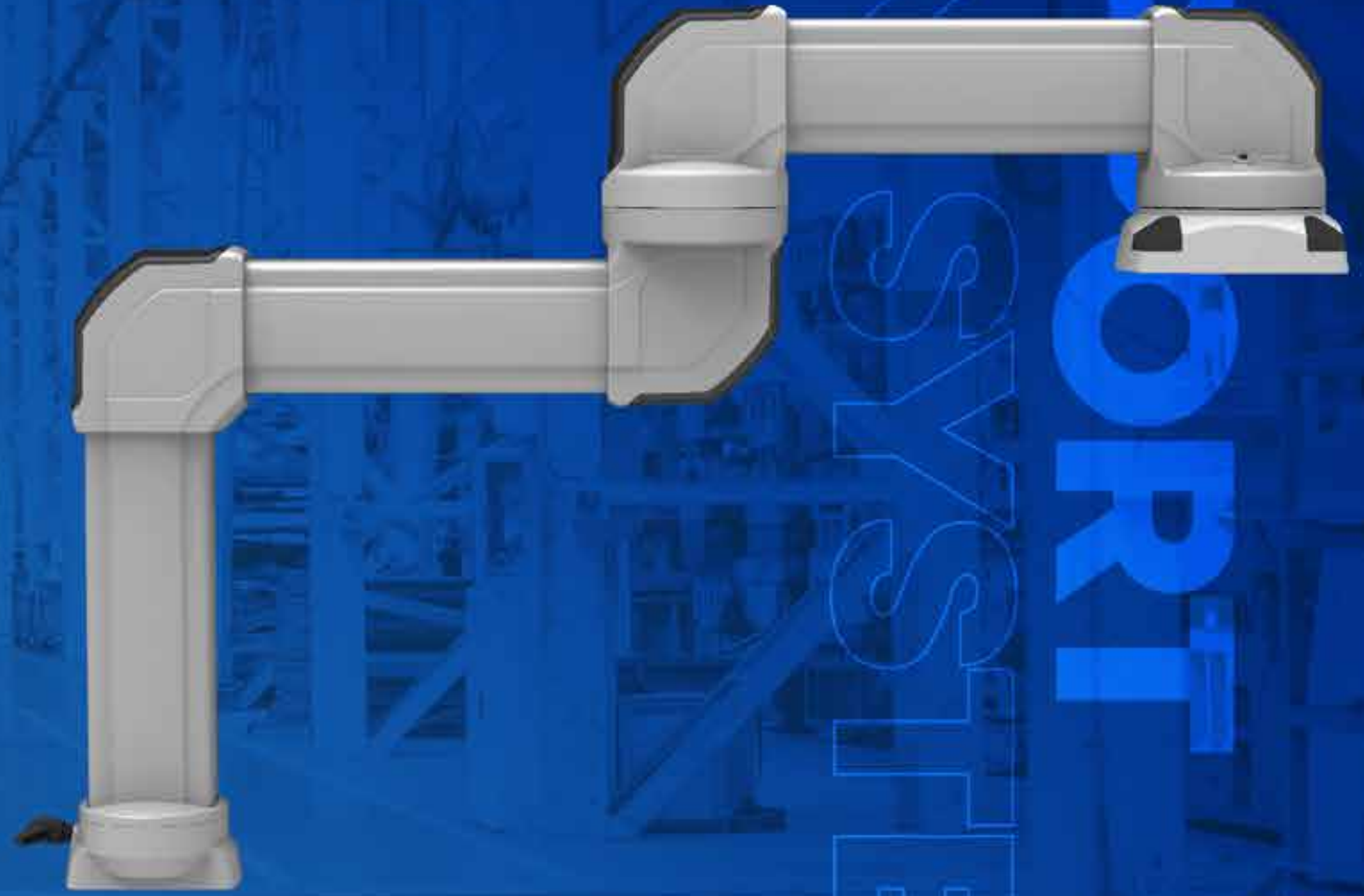
200 watt
Color RAL 7035
Power 220 V 50/60 Hz 0,4 A

ARMHE.200 Technical Information



ENCLOSURE COOLING SYSTEMS

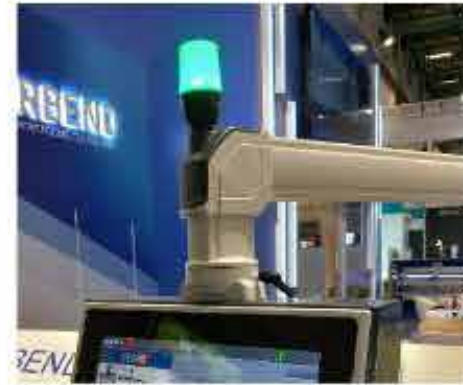
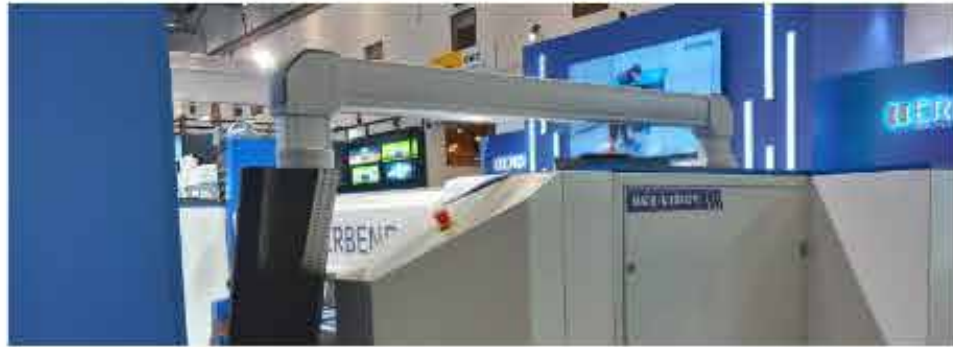
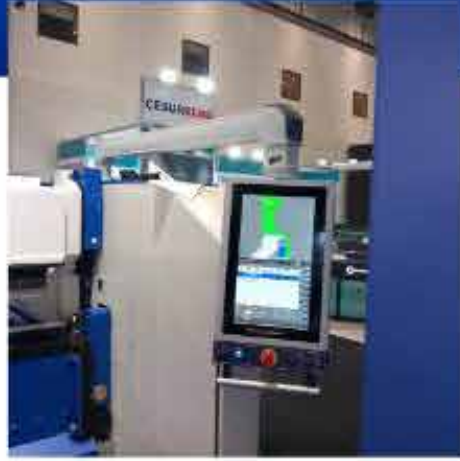




SUPERIOR SYSTEMS

REFERENCES

SPECIAL BRANDS
CHOOSING US





Location



BURSA / TÜRKİYE



Dumlupınar Mah. Alize Cad. No: 9
Görükle, Nilüfer / Bursa / TÜRKİYE



+90 224 483 20 36



info@armendus.com
sales@armendus.com
sales1@armendus.com





ARMENDUS

SUPPORT ARM & ENCLOSURE SYSTEMS